

Liquid Crystal Projector

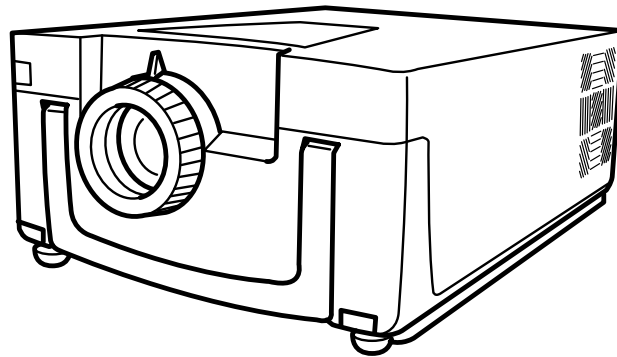
Model name

MP-83i/MP-83iE

OPERATING GUIDE

Thank you very much for purchasing this Boxlight Liquid Crystal Projector.

Please read this operating guide carefully. After reading this manual, keep it handy for future reference.



Outline

This Liquid Crystal Projector can display various computer signals and NTSC/PAL/SECAM video signals.

Features

(1) High brightness

A highly efficient optical system with a UHB lamp ensures high brightness.

(2) High resolution

Three separate high-definition liquid crystal panels are used for the R, G and B signals.

(3) Compact size, light weight for portability

(4) RGB output terminal

(5) RS232C Communication

(6) Mouse emulation

(7) Complies with VESA DDC1/2B specifications

Contents

Page

Before use	3
Names and functions of each part	7
Installation	11
Basic operations	12
Adjustments and functions ..	14
Connection to the video signal terminals	18
Connection to the RGB signal terminal	18
Connection to the control signal terminal	21
Example of system setup	26
Cleaning the air filter	27
Lamp	28
Message table	29
Troubleshooting	30
Specifications	31

FOR THE CUSTOMERS IN U.K

THIS PRODUCT IS SUPPLIED WITH A TWO PIN MAINS PLUG FOR USE IN MAINLAND EUROPE. FOR THE U.K PLEASE REFER TO THE NOTES ON THIS PAGE.

IMPORTANT FOR UNITED KINGDOM

WORDING FOR CLASS I EQUIPMENT INSTRUCTION BOOKS AND LABELS

The mains lead on this equipment is supplied with a moulded plug incorporating a fuse, the value of which is indicated on the pin face of the plug. Should the fuse need to be replaced, an ASTA or BSI approved BS 1362 fuse must be used of the same rating. If the fuse cover is detachable never use the plug with the cover omitted. If a replacement fuse cover is required, ensure it is of the same colour as that visible on the pin face of the plug. Fuse covers are available from your dealer.

DO NOT cut off the mains plug from this equipment. If the plug fitted is not suitable for the power points in your home or the cable is too short to reach a power point, then obtain an appropriate safety approved extension lead or consult your dealer.

Should it be necessary to change the mains plugs, this must be carried out by a competent person, preferably a qualified electrician.

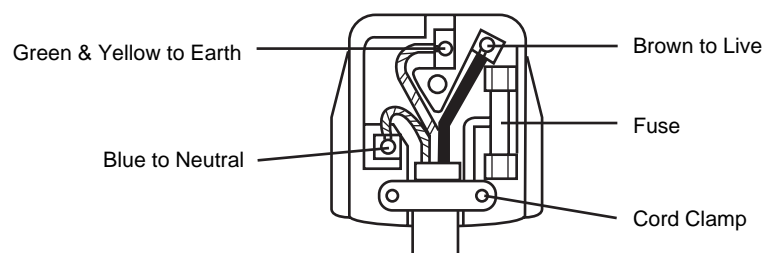
If there is no alternative to cutting off the mains plug, ensure that you dispose of it immediately, having first removed the fuse, to avoid a possible shock hazard by inadvertent connection to the mains supply.

WARNING: THIS EQUIPMENT MUST BE EARTHED

IMPORTANT:

The wires in the mains lead are coloured in accordance with the following code:

Green and Yellow=Earth, Blue=Neutral, Brown=Live.



As these colours may not correspond with the coloured markings identifying the terminals in your plug, proceed as follows:

The wire which is coloured Green and Yellow must be connected to the terminal in the plug which is marked with the letter E or by the earth symbol \oplus or coloured Green or Green and Yellow.

The wire coloured Blue must be connected to the terminal marked with the letter N or coloured BLUE or BLACK. The wire coloured BROWN must be connected to the terminal marked with the letter L or coloured BROWN or RED.

WARNING:This equipment has been tested and found to comply with the limits for a Class A digital device, pursuant to Part 15 of the FCC Rules. These limits are designed to provide reasonable protection against harmful interference when the equipment is operated in a commercial environment. This equipment generates, uses, and can radiate radio frequency energy and, if not installed and used in accordance with the instruction manual, may cause harmful interference to radio communications. Operation of this equipment in a residential area is likely to cause harmful interference in which case the user will be required to correct the interference at his own expense.

Instructions to Users:

This equipment complies with the requirements of FCC (Federal Communication Commission) Class A equipment provided that following conditions are met.

(1) Video signal cables:[optional]

Double shielded coaxial cables (so called FCC shield cable) must be used and the outer shield must be connected to the ground. Or, if normal coaxial cables are used, the cables must be enclosed in metal pipes or similar way to reduce the interference noise radiation.

(2) Power cord:

Shielded power cord must be used. The outer shield must be connected to the ground.

(3) Video inputs:[optional]

The input signal amplitude must not exceed the specified level.

Before use

(Before Use)

Illustrated marks Various illustrated marks are used in this product and instruction manual so the product is used correctly and safely, and also to protect you and others from danger and your property from being damaged.



Warning

This shows that a person could be killed or injured if the wrong operation is done by ignoring this indication.



Caution

This shows that a person could be injured or material may be damaged if the wrong operation is done by ignoring this indication.

Examples of illustrated marks



The △ mark informs you that there is a warning (including caution). The concrete details of the warning (the left diagram shows the caution for an electric shock hazard) is shown in the diagram.



The ⊘ mark informs you of a prohibited action. The concrete prohibited action (the left diagram shows the prohibition of disassembly) is drawn in the diagram or near it.



The ● mark informs you of actions you must do. The concrete instruction details (the left diagram shows "Disconnect the power plug from the power outlet") is drawn in the diagram.

(Safety precaution)

Warning

■ If any abnormality occurs.

- When there is an abnormal smell or smoke, if you use this unit as it is, this could cause a fire or electric shock, etc. When an abnormality is found, immediately turn off the power switch and pull out the power plug from the power outlet. Check that there is no smoke, etc., then contact your dealer to repair the unit. Do not repair it yourself as it is very dangerous, and will void your warranty.
- Do not use this unit as it is after trouble has occurred, such as "No picture", "No sound", "Abnormal sound", etc. This may cause a fire, electric shock, etc. In this case immediately turn off the power switch and disconnect the power plug, then contact your dealer to repair the unit.
- If water, etc. enters inside the unit, turn off the power switch of the unit first and disconnect the power plug and then contact your dealer. If you use it as it is, it may cause a fire, electric shock, etc.



Pull out the power plug from the power outlet.

■ Do not install this unit in an unstable place.

Avoid placing it in an unstable place such as weak base, inclined floor, etc. This may cause it to drop or fall over, resulting in injury.



■ Do not open the cabinet.

Do not open the cabinet. There are high voltage parts inside the cabinet and this may cause an electric shock. Ask your dealer to check inside and adjust and repair the unit.



Electric shock hazard
Prohibition of disassembly

■ Do not use this in a bathroom, etc.

Do not use this unit in a bathroom, etc. This may cause a fire, electric shock, etc.



Do not use near water

■ Do not look directly at the lens when the lamp is lit.

Do not look directly at the lens when the lamp is lit. Since a strong light is used, it could damage your vision, etc. Especially pay attention if children are present.



■ Do not insert any foreign object.

- Do not insert a metal or flammable object inside through the ventilation holes, etc. This may cause a fire, electric shock, etc.
- If foreign matter enters inside, turn the power switch off and disconnect the power plug from the power outlet and contact your dealer. If you use as it is, it may cause a fire, electric shock, etc. Be careful especially if children could touch the unit.



Pull out the power plug from the power outlet.

■ Do not apply any shock.

If you drop this unit or if the cabinet is broken, turn off the power switch, disconnect the power plug and contact your dealer. If you use it as it is, it may cause a fire, electric shock, etc.



Pull out the power plug from the power outlet.

■ Do not remodel this unit.

Do not remodel this unit. It may cause a fire, electric shock, etc.



Prohibition of disassembly

■ Do not put a container, etc. with liquid on this unit.

Do not put a vase, flowerpot, cosmetic container, medicine or water and small metal objects on this unit. If liquid spills and enters inside the unit, it may cause a fire, electric shock, etc.



■ Do not use power supplies other than that specified.

Do not use this unit with a power voltage other than specified power supply voltage. It may cause a fire, electric shock, etc.



Warning

■ Be careful in handling the power cord.

- Do not scratch, damage or process the power cord. Do not bend it forcibly. Also do not put a heavy object on it, do not heat it and do not pull it. If you do, the power cord may be damaged and it may cause a fire, electric shock, etc.
 - Do not pull the cord.
 - Do not put a heavy object on it.
 - Do not damage the cord.
 - Do not put it near a heating device.
- Be careful that this unit is not placed on the power cord. The power cord may be damaged and it may cause a fire, electric shock, etc. If the cord is covered with a carpet, etc. a heavy object may be put on it without your realizing it.



- If the cord is damaged (core wire is exposed, disconnected, etc.), ask your dealer to replace it. It may cause a fire, electric shock, etc.
- Check that no dirt adheres to the power plug and fully insert without any play. If dirt adheres or the connection is incomplete, it may cause a fire, electric shock, etc.
- The outer shield of power cord must be connected to ground. If you do not, it may cause an electric shock.



Caution

■ Do not step on this unit or do not put a heavy object on it.

- Do not step on this unit. Especially pay attention if children are present. If you do, the unit may fall over or may be broken causing an injury.
- Do not put a heavy object on this unit. If you do, the unit may fall due to its imbalance or it may drop, causing an injury.



■ Do not block the ventilation holes.

Do not block the ventilation holes. If the ventilation holes are blocked, the heat inside may build up and it may cause a fire. Do not use this unit in the following ways: On its side. In a poorly ventilated, narrow place. On a carpet or bedspread. Covered with a tablecloth. Place this unit so that the ventilation holes are kept 10cm or more away from the wall.



■ Cleaning

Be sure to pull out the power plug from the power outlet for safety when cleaning.



Pull out the power plug from the power outlet.

■ Set the caster stoppers.

When this unit is installed on the table with casters, set the caster stoppers. If the table moves, it may fall over, causing an injury.



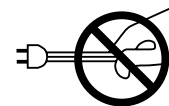
■ Do not place this unit in a moist or dusty place.

- Do not place this unit in a moist or dusty place. It may cause a fire, electric shock, etc.
- Do not place this unit where it would be exposed to soot or steam, near a cooking stove or humidifier, etc. It may cause a fire, electric shock, etc.



■ Handle the power cord carefully.

- Do not bring the power cord near a heating device. The shield of the cord may melt and it may cause a fire, electric shock, etc.
- Do not insert / disconnect the power plug with wet hands. It may cause an electric shock.
- When the power plug is to be disconnected, do not pull the power cord. The power cord may be damaged and it may cause a fire, electric shock, etc. Be sure to hold the power plug.



■ Caution when carrying it.



When this unit is to be moved, apply a cover to the lens and be sure to disconnect the power plug from the power outlet and check that all external connection cords are removed before moving it. If not, the cord may be damaged and it may cause a fire, electric shock, etc.



Pull out the power plug from the power outlet.

Caution

■ Use of batteries.

- Do not use batteries not specified for this unit. Do not use new batteries mixed together with old ones. This may cause a fire, injury due to burst of battery, liquid leakage. 
- When inserting batteries in this unit, pay attention to the direction of the \oplus and \ominus polarity indications and insert the batteries correctly. If the polarities are confused, it may cause injury or damage near the unit due to burst batteries, liquid leakage, etc. 


■ When you are not going to use the unit for a long time.

When you are not going use this unit for a long time be sure to pull out the power plug from the power outlet for safety. And also apply the lens cover to the lens so that the lens is not damaged.




Pull out the power plug from the power outlet.

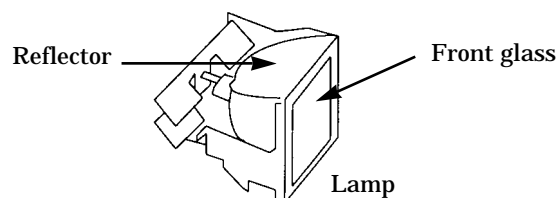
■ Clean inside the unit at least once every two years.

Ask your dealer to clean inside the unit at least once every two years. If the unit is left with too much dust inside it may cause a fire. Consult your dealer for the cost of cleaning the inside the unit. 

■ Caution when replacing the lamp.


- When replacing the lamp, turn off the power of the projector and disconnect the power plug from the power outlet. Then wait for 60 minutes to allow the lamp to cool: Failure to do so could result in a burn. 
- For disposal of used lamp, treat according to the instruction of community authorities.
- Since the lamp is made of glass, do not apply shock to it and do not scratch it.
- Also, do not use an old lamp. This could also cause explosion of the lamp.
- If it is probable that the lamp has exploded (explosive sound is heard), disconnect the power plug from the power outlet and ask your dealer to replace lamp. The lamp is covered by front glass and air-tight structure, but, in rare cases, the reflector and the inside of the projector may be damaged by scattered broken pieces of glass, and broken pieces could cause injury when being handled.
- When the lamp has been replaced, reset the accumulated operation time of the lamp. Do not reset if the lamp has not been replaced.

Pull out the power plug from the power outlet.




(General cautions)

■ Do not place this unit where it gets hot.

Do not place the unit outdoors, in a place exposed to direct sunlight or near a heating device, because the cabinet and parts could be affected. 

■ Cleaning the lens.

To clean the lens, use a generally-available lens cleaning tissue (used for cleaning lens of camera, glasses, etc.). Be careful not to scratch the lens with a hard object. 

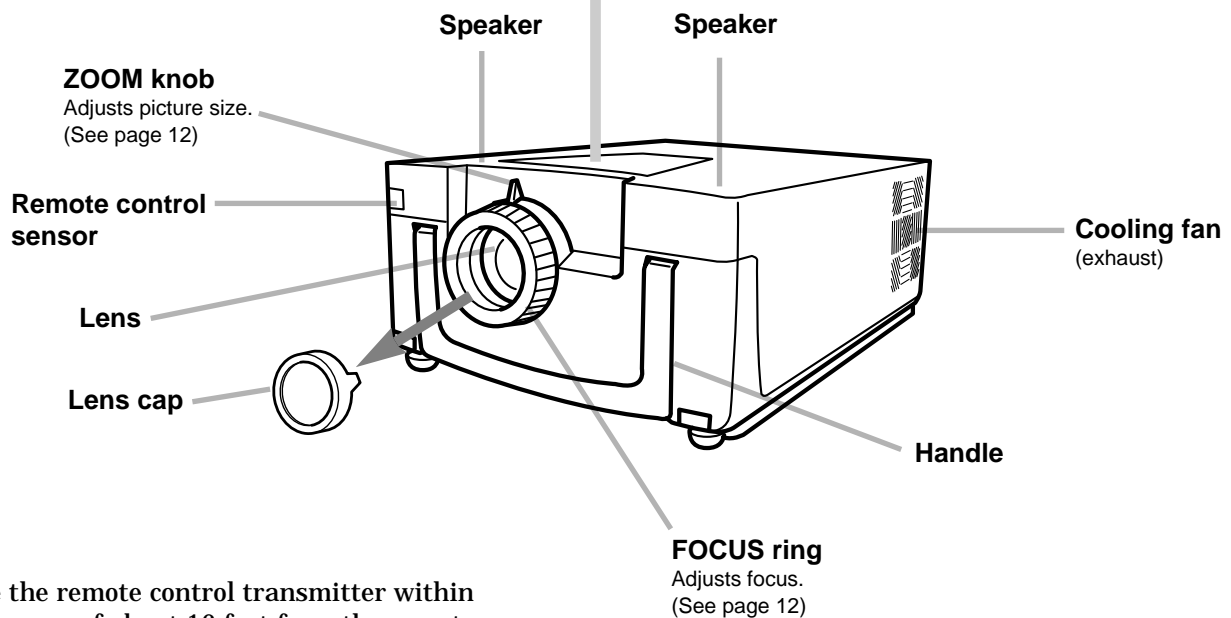
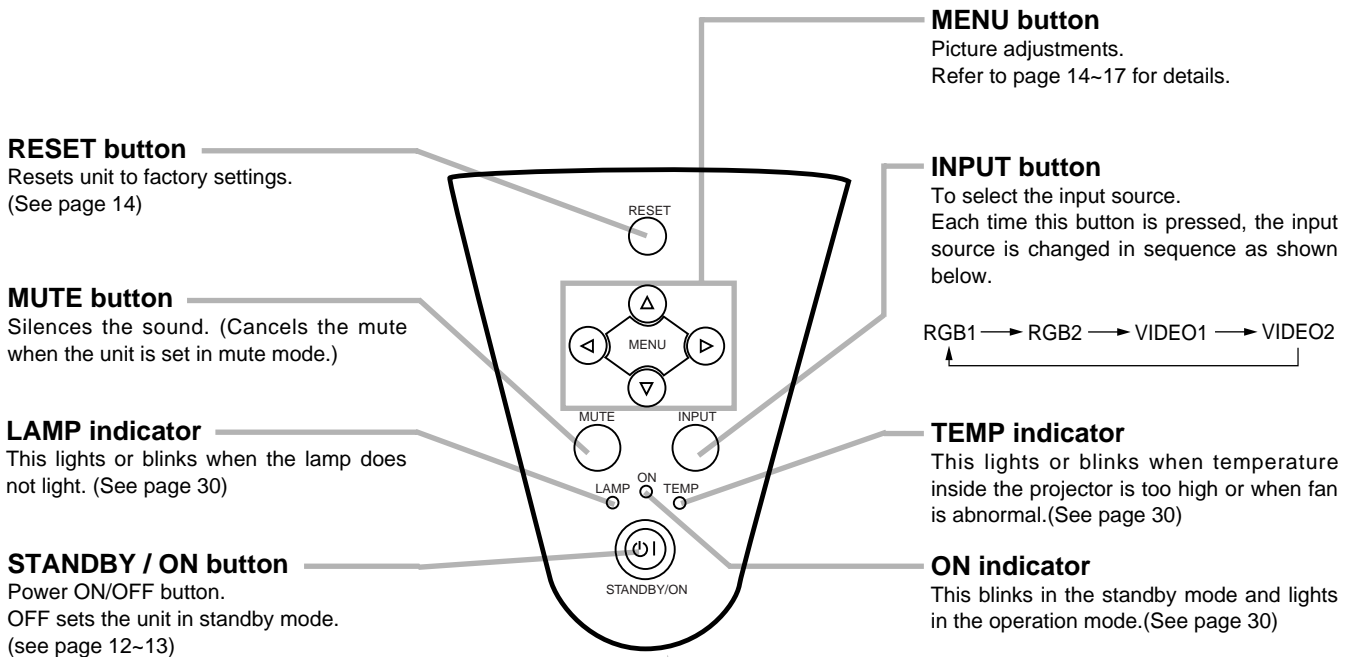
■ Rest your eyes occasionally when viewing for a long time.

■ Cleaning the cabinet.

- Since many plastic materials are used on the surface of the cabinet, if the surface is cleaned using benzene, thinner, etc., it may change in quality or the coating may be peeled off. Avoid using chemicals.
- When a chemically-treated cloth is used, follow the cautions that come with the cloth.
- Do not spray a volatile agent such as insecticide on the unit. Do not leave a rubber or vinyl object touching the cabinet for a long time. It may cause the cabinet to change in quality or the coating to peel off.
- Clean the dirt from the cabinet and operation panel by dusting lightly with a soft cloth. If the dirt is conspicuous, wipe off with a cloth moistened with detergent diluted with water, then wipe off with a dry soft cloth.

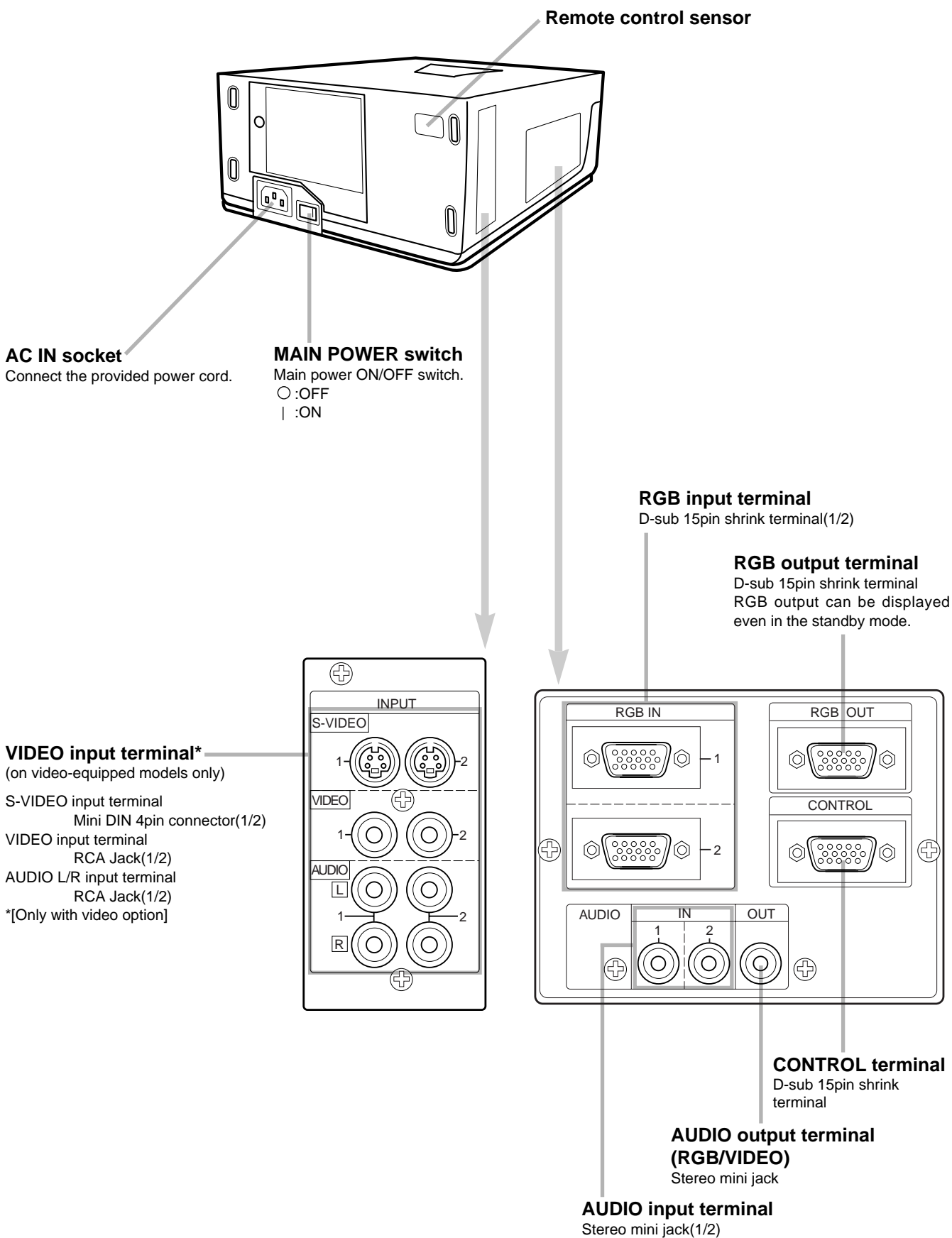
Names and functions of each part

Main unit



- Use the remote control transmitter within the range of about 16 feet from the remote control sensor and within 30° to both the left and right.

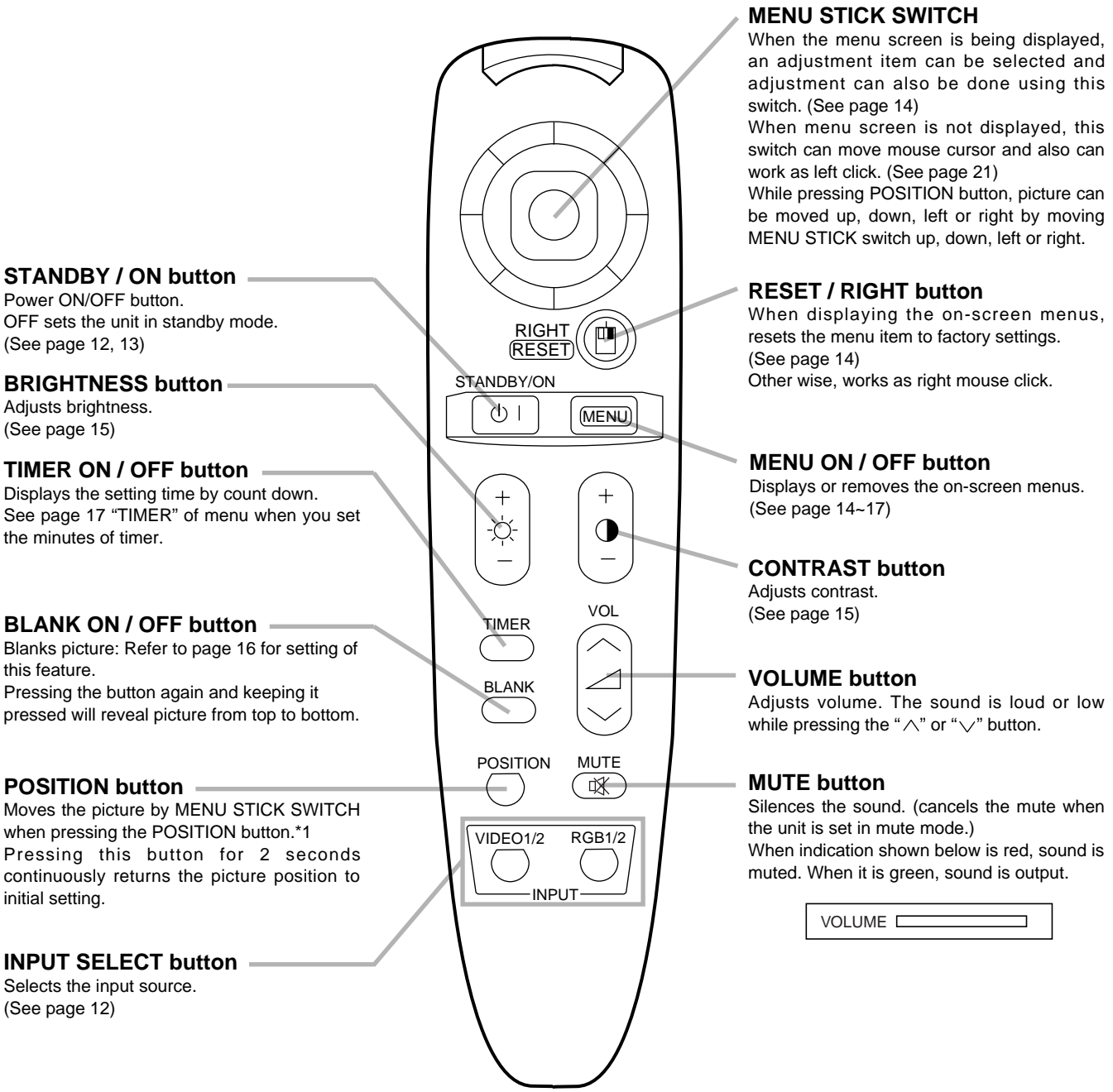
Names and functions of each part (continued)



Names and functions of each part (continued)

Remote control transmitter

ENGLISH



STANDBY / ON button

Power ON/OFF button.
OFF sets the unit in standby mode.
(See page 12, 13)

BRIGHTNESS button

Adjusts brightness.
(See page 15)

TIMER ON / OFF button

Displays the setting time by count down.
See page 17 "TIMER" of menu when you set the minutes of timer.

BLANK ON / OFF button

Blanks picture: Refer to page 16 for setting of this feature.
Pressing the button again and keeping it pressed will reveal picture from top to bottom.

POSITION button

Moves the picture by MENU STICK SWITCH when pressing the POSITION button.*1
Pressing this button for 2 seconds continuously returns the picture position to initial setting.

INPUT SELECT button

Selects the input source.
(See page 12)

MENU STICK SWITCH

When the menu screen is being displayed, an adjustment item can be selected and adjustment can also be done using this switch. (See page 14)
When menu screen is not displayed, this switch can move mouse cursor and also can work as left click. (See page 21)
While pressing POSITION button, picture can be moved up, down, left or right by moving MENU STICK switch up, down, left or right.

RESET / RIGHT button

When displaying the on-screen menus, resets the menu item to factory settings. (See page 14)
Other wise, works as right mouse click.

MENU ON / OFF button

Displays or removes the on-screen menus. (See page 14-17)

CONTRAST button

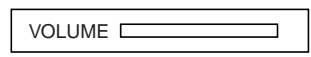
Adjusts contrast.
(See page 15)

VOLUME button

Adjusts volume. The sound is loud or low while pressing the "∧" or "∨" button.

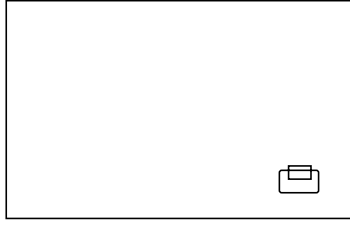
MUTE button

Silences the sound. (cancels the mute when the unit is set in mute mode.)
When indication shown below is red, sound is muted. When it is green, sound is output.



***1 Icon of POSITION**

When the POSITION button is pressed, the icon indicating picture moving position will be displayed at the bottom right of the screen.
In the video mode, the icon is displayed but has no function.

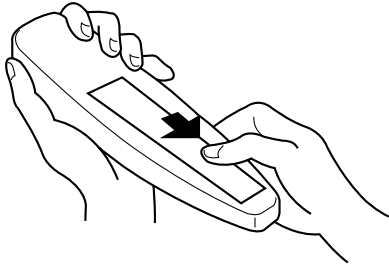


Names and functions of each part (continued)

How to insert batteries

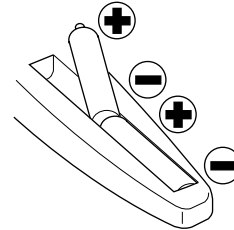
Insert the provided batteries (AA or R6P) into the remote control transmitter.

- 1 Remove the battery compartment cover.

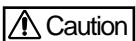


Slide the battery compartment cover in the direction of the arrow while pressing slightly down on it.

- 2 Insert the batteries as illustrated inside the battery compartment.



- 3 Replace the cover.



Caution Cautions on use of batteries

- Do not use batteries not specified for this unit. Also do not use old and new batteries together. It may cause a fire, injury due to burst of battery or liquid leakage.
- When inserting batteries, pay attention to the direction of the \oplus and \ominus polarity indications and insert the batteries correctly. If the polarities are confused, it may cause injury or damage near the unit due to a burst of battery or liquid leakage.



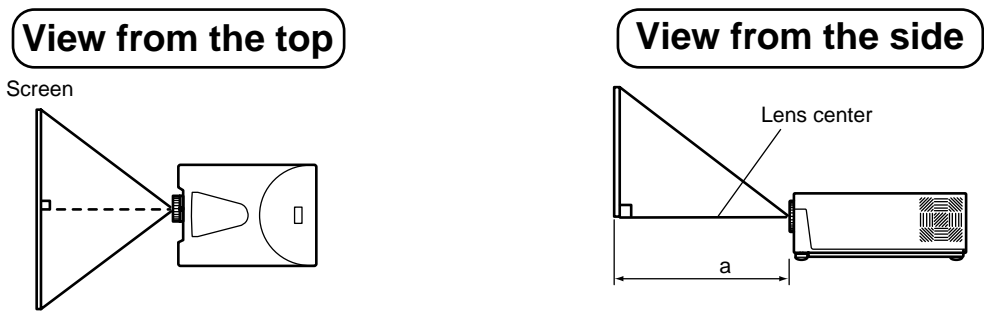
Caution Cautions on use

- Do not drop the remote control transmitter or apply any shock to it.
- Do not let the remote control transmitter get wet and do not put it on a wet object. It may cause a malfunction.
- If you are not going to use it for a long time, remove the batteries from the remote control transmitter.
- If operation of the remote control becomes difficult, replace the batteries.

Installation

Example of the projector and screen installation

Determine picture size and projection distance as illustrated below.



a: Distance from the projector to the screen.
(tolerance : $\pm 10\%$)
This screen size is full-screen size.(800 dots X 600 dots)

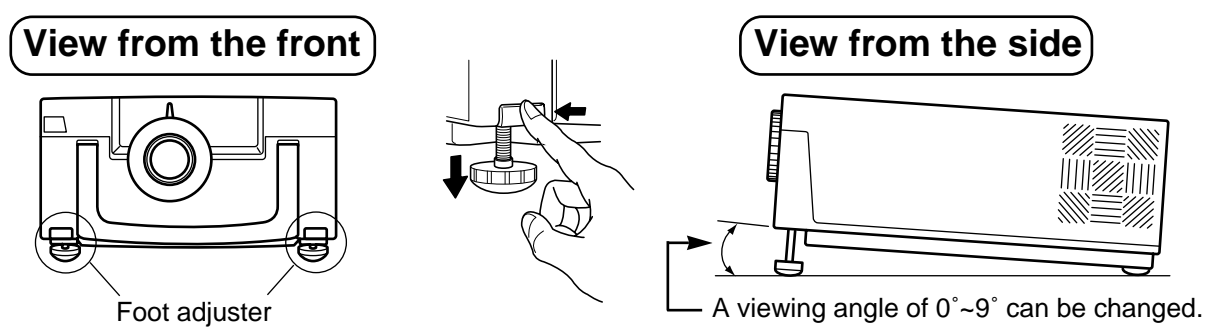
Screen (inch)	a (inch)	
	Minimum	Maximum
40	67	87
60	98	130
80	130	173
100	165	217
120	197	260
150	248	327
200	331	—

Installation of liquid crystal projector

Please use your projector in the horizontal position. If you use your projector in the lens up position, the lens down position and the side up position, this may cause the heat inside to build up and become the cause of damage. Be especially careful not to install it with ventilation holes blocked.

How to use foot adjusters

Adjust the projection position using the foot adjusters at the bottom of the projector.



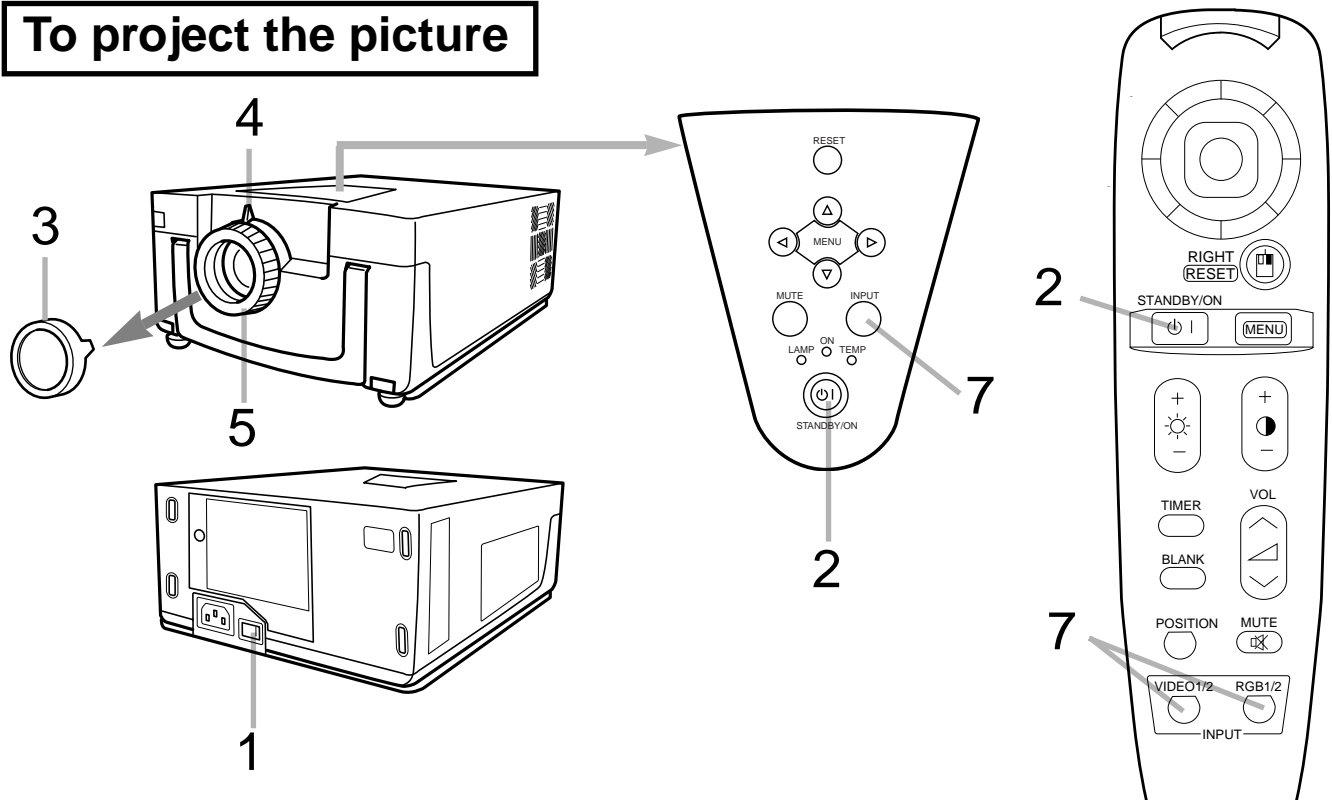
1. Lift up the projector and press the button of the adjuster to release the lock.
2. Adjust the projection angle, release the button of the adjuster and securely lock it.
3. To adjust the angle slightly, revolve the foot adjusters.

Caution

- Do not unlock the foot adjusters while not supporting the projector, and thus causing the projector to fall and causing an injury.
- Do not revolve the foot adjusters by force, the foot adjusters could be damaged.
- Securely lock the adjuster.
- Do not apply unnecessary force from the upper side when lifting the projector. Otherwise, projector may be damaged or a finger could be caught and cause injury.

Basic operations

To project the picture



1 Turn the **MAIN POWER** switch of the projector on. [I : ON]

- The ON indicator will light up orange.

2 Press the **STANDBY/ON** button.

- The ON indicator blinks (green) and then lights (green).
- The ON indicator will blink green during warm-up and light up.
- Power cannot be turned on if the STANDBY/ON button is pressed within 60 seconds after power is turned off, since the lamp has to cool to prepare for next lighting.

3 Remove the lens cap.

4 Adjust picture size using the projection lens **ZOOM** knob.

5 Adjust focus using the projection lens **FOCUS** ring.

6 Power on all connected equipment.

For the method of connecting various equipment, see on the page 18~26.

7 Press the **INPUT** button or the **INPUT SELECT (VIDEO or RGB)** button to select the source of the signal to be projected on the screen.

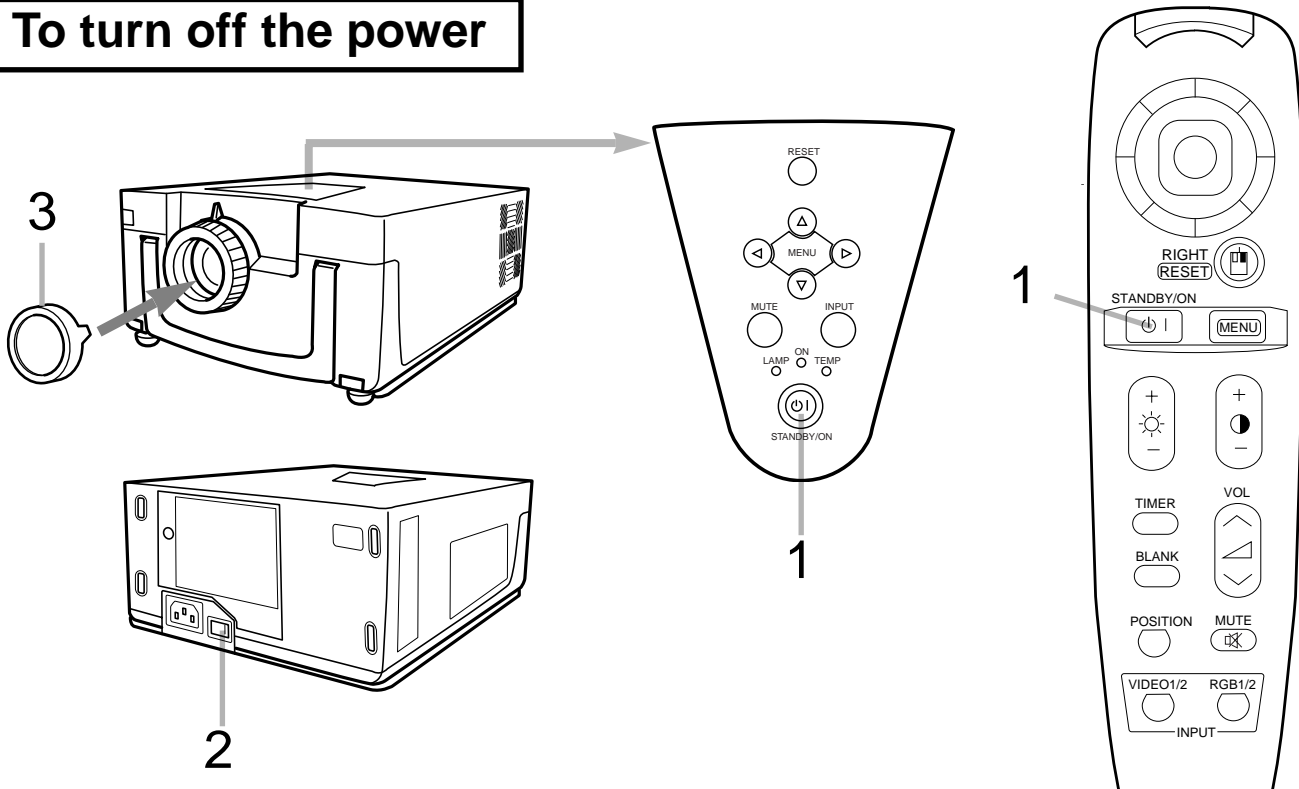
- The selected signal input is displayed at the bottom right of the screen for 3 seconds.

Example on-screen display



Basic operations (continued)

To turn off the power



- 1 Press the STANDBY/ON button, for 1 second.**
 - The ON indicator lights up orange and the lamp turns off. (About 1 minute later), the fan stops and the indicator blinks orange.
 - If you press the STANDBY/ON button for less than 1 second, the projector will not go into standby mode.
- 2 Turn the MAIN POWER switch of the projector off. [OFF]**
- 3 Install the lens cap.**

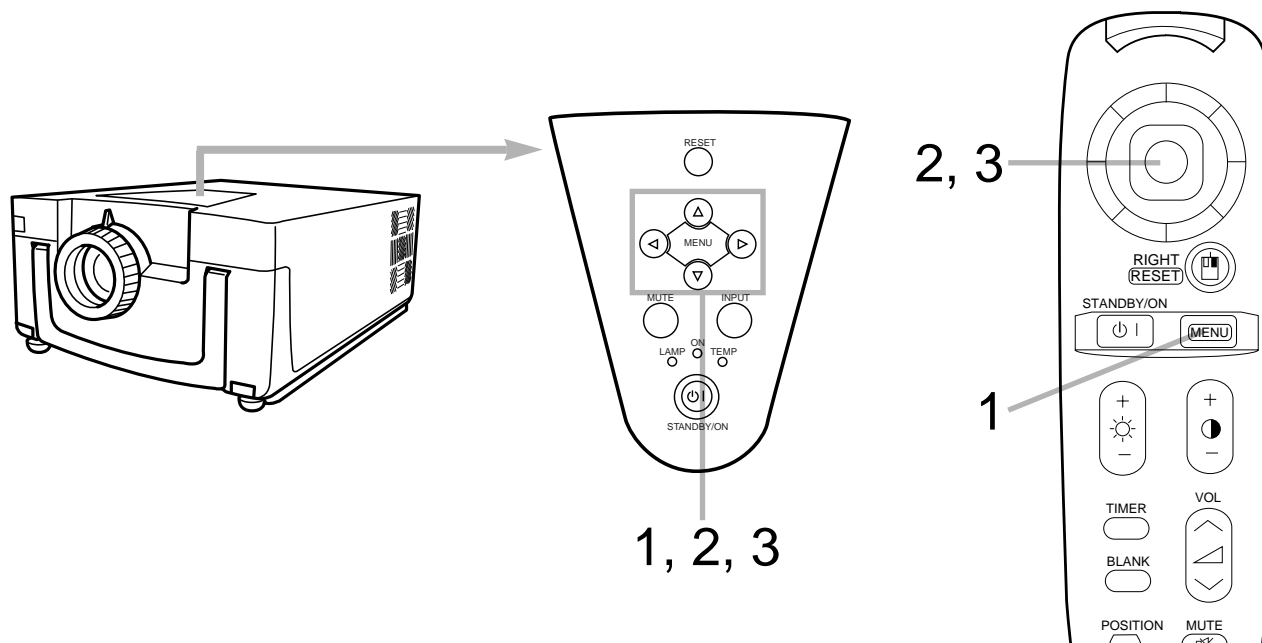
Caution

- To reduce temperature inside the projector (cooling down), fan will rotate for about 1 minute after the lamp is turned off.
- Do not turn off the MAIN POWER switch while the lamp is on because the lamp will be damaged.

PLUG&PLAY

This projector complies with VESA DDC1/2B specifications. PLUG&PLAY is a system with computer, peripherals (including projectors), and operating system. It works when the projector is connected to DDC (Display Data Channel) ready computer that is running an operating system software that incorporates plug & play functionality. (Only RGB 1)

Adjustments and functions



1 Press the MENU (▲ ▼ ◀ ▶) buttons or the MENU ON / OFF button.

- On-screen menus are displayed on the screen.

2 Select the menu to be adjusted using the MENU (◀ ▶) buttons or MENU STICK SWITCH.

- Menu displayed in green is selected.

3 Select the item to be adjusted using the MENU (▲ ▼ ◀ ▶) buttons or MENU STICK SWITCH.

- Item displayed in green can be adjusted.

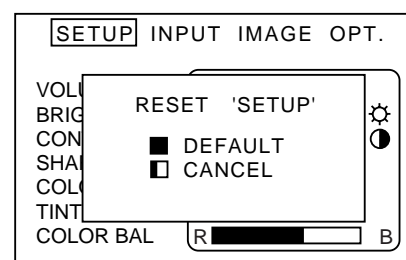
When no operation is done for about 5 ~ 10 seconds, menu screen will go off.

Memory function

Individual memory functions are provided for the VIDEO1, VIDEO2, RGB1 and RGB2 input terminals. Adjustments are saved after powering off the projector.

To return to the initial setting

- Resetting menu items (SETUP, INPUT, IMAGE, OPT.)
 - (1) Select the menu item to return to the initial setting.
 - (2) Press the RESET button.
 - (3) Select the DEFAULT (If you select CANCEL the item is not changed).
(Display shown on the right will appear.)
- Resetting adjustment items (VOLUME, BRIGHT etc.)
 - (1) Select the adjustment item to return to the initial setting.
 - (2) Press the RESET button.

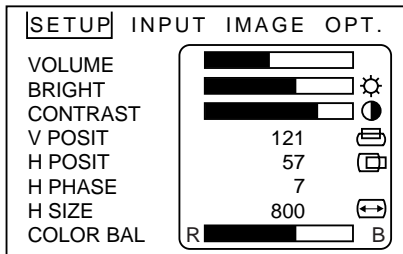


Adjustments and functions (continued)

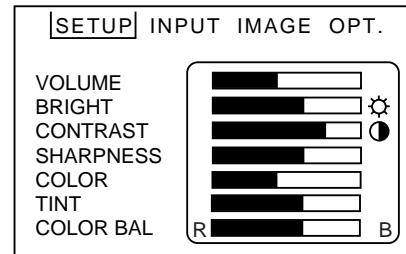
SET UP

The menu SET UP serves for the change of parameters influencing the picture and for the picture position adjustments.

RGB signal input



VIDEO signal input



Adjustment Item	Details of adjustment
VOLUME	Decrease ← → Increase
BRIGHT (BRIGHTNESS)	Dark ← → Bright
CONTRAST	Lower ← → Higher
SHARPNESS	Soft ← → Sharp
COLOR	Less ← → More
TINT	Red ← → Green
V.POSIT (VERTICAL POSITION)	Moves the picture up or down.
H.POSIT (HORIZONTAL POSITION)	Moves the picture left or right.
H.PHASE	Decreases the picture flicker.
H.SIZE	Widens or Narrows the horizontal size of the picture.
COLOR BAL (COLOR BALANCE)	for Red ← → for Blue

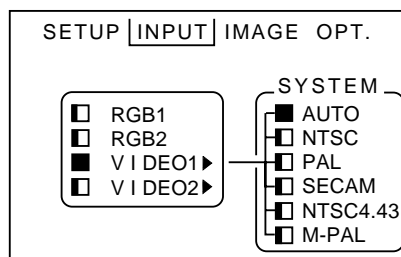
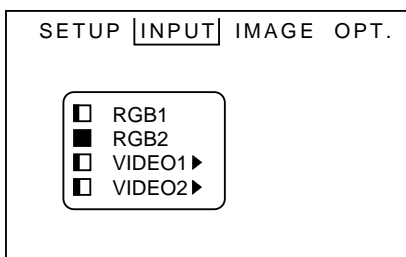
Caution

- When start up screen is displayed ("NO INPUT IS DETECTED" or "SYNC IS OUT OF RANGE" is displayed), SETUP menu items other than VOLUME cannot be set.
- TINT cannot be adjusted with PAL/SECAM video signal input.
- TINT, COLOR and SHARPNESS cannot be adjusted with an RGB signal input.
- V.POSIT, H.POSIT, H.PHASE and H.SIZE cannot be adjusted with a VIDEO signal input.

Adjustments and functions (continued)

INPUT

The menu INPUT serves for the selection of input source.

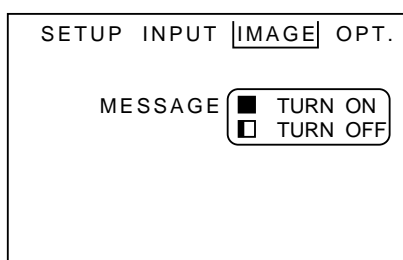
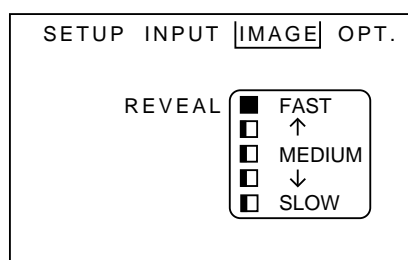
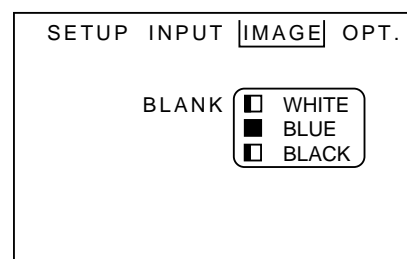
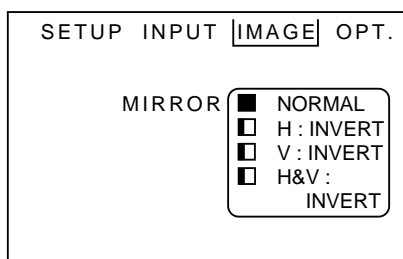
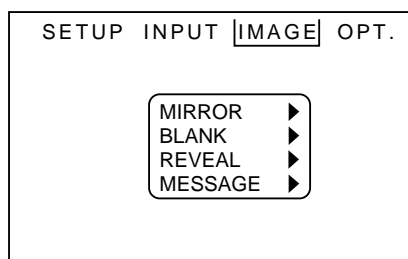


Adjustment Item	Details of adjustment
RGB 1	Selects the RGB 1 terminal.
RGB 2	Selects the RGB 2 terminal.
VIDEO 1	Selects the VIDEO 1 terminal.*
VIDEO 2	Selects the VIDEO 2 terminal.*
SYSTEM	Selects the video signal systems. When the picture (Video) is abnormal (no color or out of sync.), select the input signal mode (NTSC, PAL, SECAM, NTSC4.43 and M-PAL).

*With Video Option Installed

IMAGE

The menu IMAGE serves for the picture inversion.

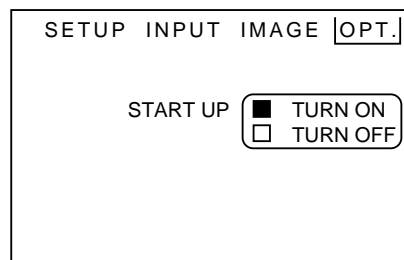
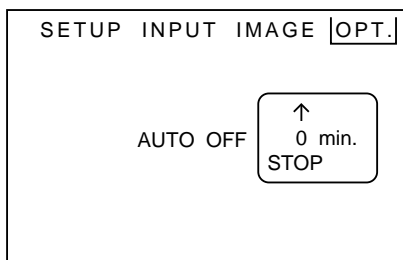
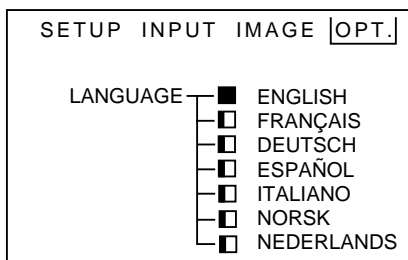
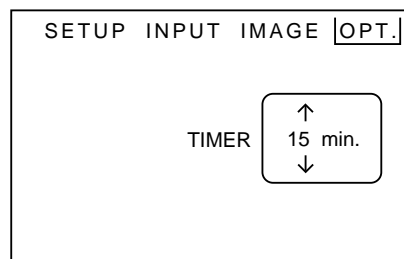
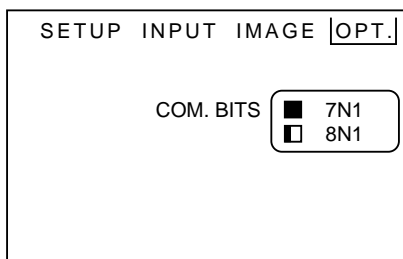
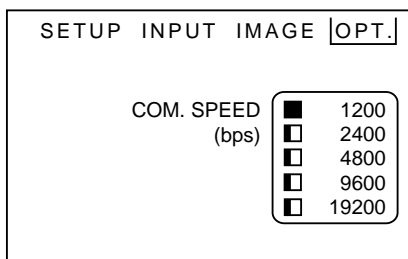
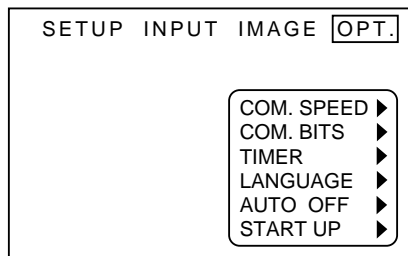


Adjustment Item	Details of adjustment
MIRROR	Inverts the picture horizontally or vertically. NORMAL Not invert. H:INVERT Inverts the picture horizontally. V:INVERT Inverts the picture vertically. H&V:INVERT Inverts the picture horizontally and vertically.
BLANK	Selects the color of the screen when no signal is detected. When start up screen is displayed, screen will blank out 5 minutes later.
REVEAL	Selects the speed or revelation. See page 9 "BLANK ON button.
MESSAGE	Turn off the on-screen message. (VOLUME, Input selection display)

Adjustments and functions (continued)

OPT.

The menu OPT. allows you to control communication function etc.



Adjustment Item	Details of adjustment
COM. SPEED (COMMUNICATION SPEED)	Selects the data speed of transmission. (five kinds)
COM. BITS (COMMUNICATION BITS)	Selects the data format or transmission 7N1...7 data bits, No parity, 1 stop bit. 8N1...8 data bits, No parity, 1 stop bit.
TIMER	Sets the minutes of timer. (0~99)
LANGUAGE	Selects the language on-screen menu. (English, Francais, Deutsch, Espanol, Italiano, Norsk, Nederlands)
AUTO OFF	Sets time (minutes) from the start of displaying start up screen (No input is detected or sync is out of range) to turning the power OFF. "0" is stop and another "1~99"
START UP	Sets/releases start up screen displayed when power is turned on, or when no input is detected or sync is out of range.

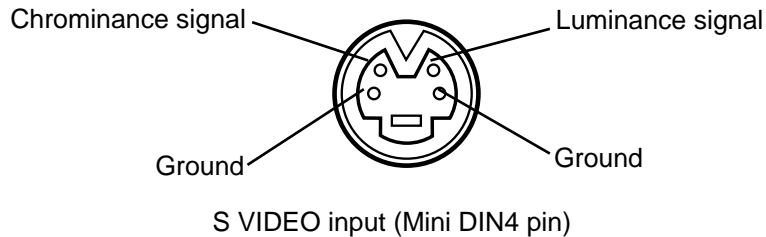
Connection to the video signal terminals

1. Input signal

S-VIDEO signal*		Luminance signal 1.0Vp-p, 75Ω termination Chrominance signal 0.286Vp-p (burst signal), 75Ω termination
VIDEO signal*		1.0Vp-p, 75Ω termination
AUDIO signal	Input	200mVrms, 20kΩ below (MAX 3.0Vp-p)
	Output	0~200mVrms, 1kΩ

*With Video Option only

2. Signal input terminal



Caution Video input signal terminals have priority in the following order.
 ① S-VIDEO input terminal ② RCA jack input terminal
 Even when the video signal is displayed, only an audio signal is output to RGB audio output terminals.

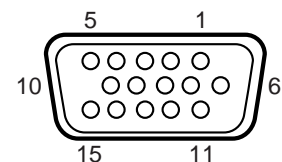
Connection to the RGB signal terminal

1. Input / output signal

Video signal		Analog 0.7Vp-p 75Ω termination (Positive polarity)
Horizontal sync signal		TTL level (Positive/negative polarity)
Vertical sync signal		TTL level (Positive/negative polarity)
Composite sync signal		TTL level
Audio signal	Input	200mVrms, 20kΩ below (MAX 3.0Vp-p)
	Output	0~200mVrms, 1kΩ

2. Signal input / output terminal

1	Video signal (Red)	9	N.C
2	Video signal (Green)	10	Ground
3	Video signal (Blue)	11	N.C
4	N.C	12	DDC (Display Data channel) RGB1 only
5	N.C	13	Horizontal/Composite sync signal
6	Ground (for R)	14	Vertical sync signal
7	Ground (for G)	15	DDC (Display Data channel) RGB1 only
8	Ground (for B)		



D-sub 15pin shrink terminal (Female)

Caution Do not use RGB cable other than that specified.
 Some RGB cables may not operate DDC (Display Data Channel) because there are non connects from pin NO. ⑮ to pin NO. ⑫ .

Connection to the RGB signal terminal(continued)

3. Example of computer signal

Resolution HXV	fH (kHz)	fV (Hz)	Standard Type	Note 1	Note 2	Note 3	Display Dots HXV
640X350	31.5	70.1		VGA-1		Expanded	800X490
640X400	24.8	56.4		NEC PC9800		Expanded	800X560
640X400	31.5	70.1		VGA-2		Expanded	800X560
640X480	43.3	85.0	VESA			Expanded	800X600
640X480	31.5	59.9	VESA	VGA-3		Expanded	800X600
640X480	35.0	66.7		Mac13" mode	SW 1 ON SW 2 ON	Expanded	800X600
640X480	37.9	72.8	VESA			Expanded	800X600
640X480	37.5	75.0	VESA			Expanded	800X600
800X600	35.2	56.3	VESA	SVGA (56Hz)			800X600
800X600	37.9	60.3	VESA	SVGA (60Hz)			800X600
800X600	48.1	72.2	VESA	SVGA (72Hz)			800X600
800X600	46.9	75.0	VESA	SVGA (75Hz)			800X600
800X600	53.7	85.1	VESA	SVGA (85Hz)			800X600
832X624	49.7	74.5		Mac16" mode	SW 2 ON SW 4 ON	Partial	800X600
1024X768	48.4	60.0	VESA	XGA (60Hz)		Compressed	768X576
1024X768	56.5	70.1	VESA	XGA (70Hz)		Compressed	768X576
1024X768	60.0	75.0	VESA	XGA (75Hz)		Compressed	768X576

Note 1: Signal mode

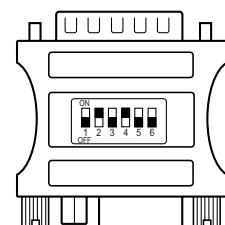
Note 2: MAC adapter is necessary to the resolution mode.

Projector is compatible with 13 inch mode and 16 inch mode.

MAC13" mode=switch 1 and switch 2 are ON.

MAC16" mode=switch 2 and switch 4 are ON.

Note 3: Display mode



(Example 16inch mode)

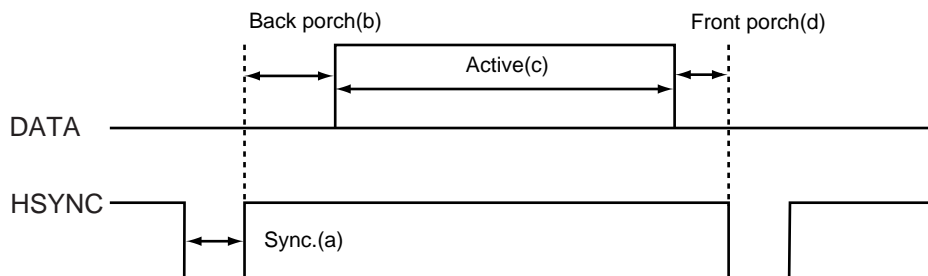
Caution

- Some input sources may not be displayed properly because they are not compatible with the projector.
- Some input sources may not be displayed in full size as shown "Display Dots".

Connection to the RGB signal terminal(continued)

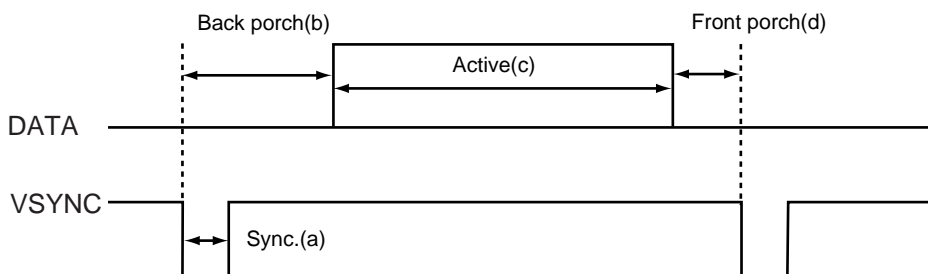
4. Initial set signals

The following signals are initially set. The settings may be different depending on the computer type. In this case, adjust the settings referring to pages 14, 15.



Computer/signal	Horizontal Timing (μs)			
	a	b	c	d
VGA-1	3.8	1.9	25.4	0.6
PC-9800	3.0	3.8	30.4	3.0
VGA-2	3.8	1.9	25.4	0.6
VESA (85Hz)	1.6	2.2	17.8	1.6
VGA-3	3.8	1.9	25.4	0.6
Mac 13inch mode	2.1	3.2	21.2	2.1
VESA (72Hz)	1.3	4.1	20.3	0.8
VESA (75Hz)	2.0	3.8	20.3	0.5
SVGA (56Hz)	2.0	3.6	22.2	0.7

Computer/signal	Horizontal Timing (μs)			
	a	b	c	d
SVGA (60Hz)	3.2	2.2	20.0	1.0
SVGA (72Hz)	2.4	1.3	16.0	1.1
SVGA (75Hz)	1.6	3.2	16.2	0.3
SVGA (85Hz)	1.1	2.7	14.2	0.6
Mac 16inch mode	1.1	3.9	14.5	0.6
XGA VESA (60Hz)	2.1	2.5	15.8	0.4
XGA VESA (70Hz)	1.8	1.9	13.7	0.3
XGA VESA (75Hz)	1.2	2.2	13.0	0.2



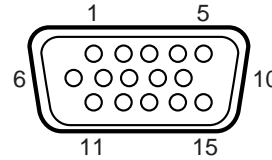
Computer/signal	Horizontal Timing (μs)			
	a	b	c	d
VGA-1	3.8	1.9	25.4	0.6
PC-9800	3.0	3.8	30.4	3.0
VGA-2	3.8	1.9	25.4	0.6
VESA (85Hz)	1.6	2.2	17.8	1.6
VGA-3	3.8	1.9	25.4	0.6
Mac 13inch mode	2.1	3.2	21.2	2.1
VESA (72Hz)	1.3	4.1	20.3	0.8
VESA (75Hz)	2.0	3.8	20.3	0.5
SVGA (56Hz)	2.0	3.6	22.2	0.7

Computer/signal	Horizontal Timing (μs)			
	a	b	c	d
SVGA (60Hz)	3.2	2.2	20.0	1.0
SVGA (72Hz)	2.4	1.3	16.0	1.1
SVGA (75Hz)	1.6	3.2	16.2	0.3
SVGA (85Hz)	1.1	2.7	14.2	0.6
Mac 16inch mode	1.1	3.9	14.5	0.6
XGA VESA (60Hz)	2.1	2.5	15.8	0.4
XGA VESA (70Hz)	1.8	1.9	13.7	0.3
XGA VESA (75Hz)	1.2	2.2	13.0	0.2

Connection to the control signal terminal

1. Control signal terminal

Pin No.	RS-232C	Mouse		
		PS/2	ADB	Serial
1				TDM
2		CLK	SDATA	
3		DATA		
4				
5				
6		SEL0		SEL0
7			SEL1	SEL1
8				READY
9				
10	GND	GND	GND	GND
11				
12		+5V	+5V	
13	RDP			
14	TDP			
15				



D-sub 15pin shrink terminal (Male)

Caution

Turn off the power of both the projector and computer before connecting.
 Connect the computer to the control terminal of the projector using an appropriate cable.
 Refer to the instruction manual of each device before connecting.

2. Mouse emulation

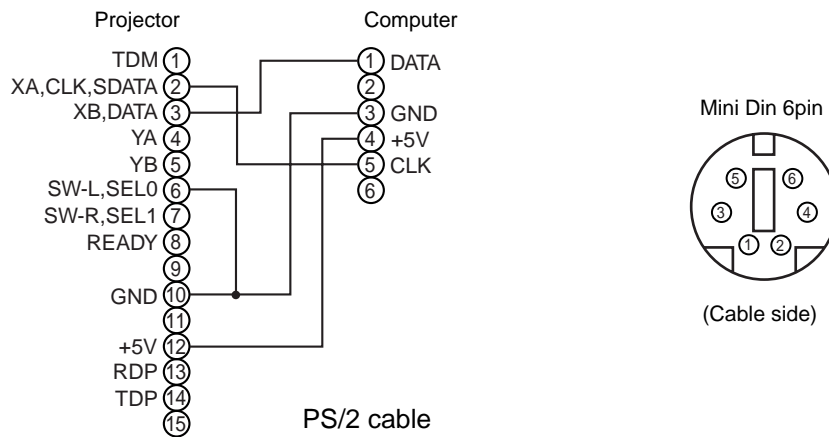
- (1) Connect the projector and the mouse terminal of the computer using an appropriate cable, while the projector and the computer are turned off.
- (2) Turn the power of the projector on and press the STANDBY/ON switch. The indicator will light. (The ON indicator will light up orange.).
- (3) Press the INPUT of the projector or RGB 1/2 button of the remote control transmitter and select the input connection.
- (4) Turn on the computer.
- (5) Start mouse emulation mode.
 If can not start mouse emulation, reset the computer. (With soft reset or reset switch)
- (6) See on page 9 how to operate the remote control transmitter.
 Caution : Mouse cannot be operated while start up screen or menu screen is being displayed.

Caution

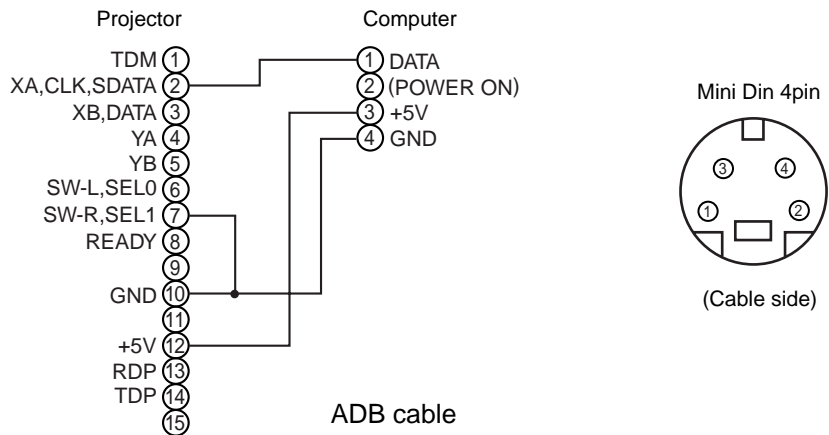
- In some notebook computers which have internal pointing devices, mouse emulation will not work without disabling internal pointing device. In this case, set the internal pointing device to disabled in BIOS setting. After setting in BIOS, operate (1) ~ (5) Please check the hardware manuals to disable internal pointing device in BIOS setting.
- In some computers, mouse emulation will not work without the utility program. In this case, see and check the operating manuals of the computer.

Connection to the control signal terminal (continued)

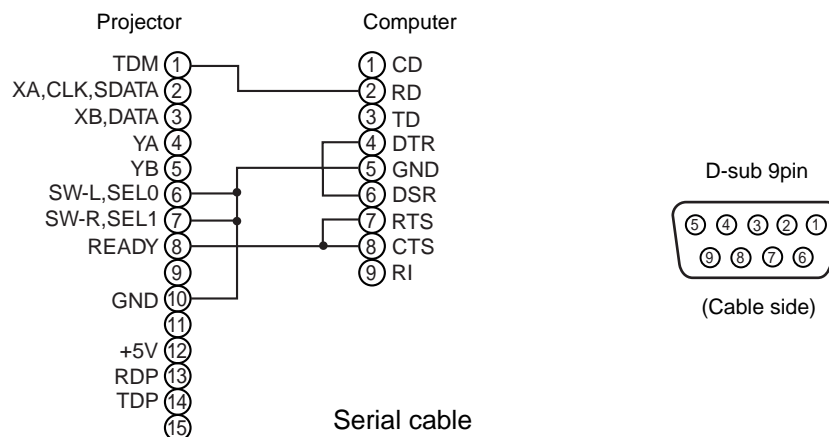
PS/2 mouse



ADB (Mac) mouse



Serial mouse

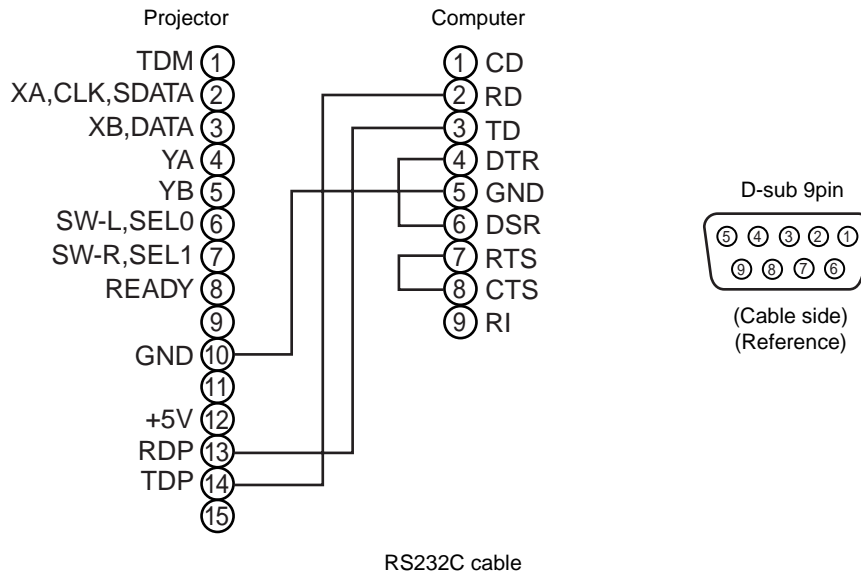


Caution Serial mouse cannot be operated with provided RS-232C cable. Purchase exclusive serial mouse cable separately.

Connection to the control signal terminal (continued)

3. Communication

- (1) Connect the projector and computer using RS 232C cable.
- (2) Turn off the computer, Turn on the projector first, then turn on the computer.
- (3) Select the data speed (COM.SPEED) and the data format (COM.BITS) of the projector. (See page 17)
- (4) Start communication.



4. Control command table

Control command table

Item	Projector→Computer			Computer→Projector						
	Reply code			Ask code		Set code			Default code	
	1st	2nd	data	1st	2nd	1st	2nd	data	1st	2nd
MOUSE	11h	05h	+1	20h	05h	31h	05h	+1	40h	05h
COMMUNICATE	11h	06h	+1	20h	06h	31h	06h	+1	40h	06h
POWER	11h	11h	+1	20h	11h	31h	11h	+1	————	
MIRROR	11h	14h	+1	20h	14h	31h	14h	+1	40h	14h
INPUT	11h	21h	+1	20h	21h	31h	21h	+1	40h	21h
(VIDEO) SYSTEM	12h	22h	+2	20h	22h	32h	22h	+2	40h	22h
VOLUME	11h	23h	+1	20h	23h	31h	23h	+1	40h	23h
MUTE	11h	24h	+1	20h	24h	31h	24h	+1	40h	24h
BRIGHT	13h	31h	+3	20h	31h	33h	31h	+3	40h	31h
CONTRAST	13h	32h	+3	20h	32h	33h	32h	+3	40h	32h
COLOR	13h	33h	+3	20h	33h	33h	33h	+3	40h	33h
TINT	13h	34h	+3	20h	34h	33h	34h	+3	40h	34h
SHARPNESS	13h	35h	+3	20h	35h	33h	35h	+3	40h	35h
H. PHASE	13h	37h	+3	20h	37h	33h	37h	+3	40h	37h
H. POSIT	14h	38h	+4	20h	38h	34h	38h	+4	40h	38h
H. SIZE	14h	36h	+4	20h	36h	34h	36h	+4	40h	36h
V. POSIT	14h	3Ah	+4	20h	3Ah	34h	3Ah	+4	40h	3Ah
BLANK	11h	41h	+1	20h	41h	31h	41h	+1	40h	41h
REVEAL	11h	42h	+1	20h	42h	31h	42h	+1	————	

Connection to the control signal terminal (continued)

Control data table

Item	Data code
MOUSE	00h=stop mouse emulation. 01~7Fh=start mouse emulation
COMMUNICATE	0Xh=8N1 1Xh=7N1 X0h=1200bps, X1h=2400bps, X2h=4800bps, X3h=9600bps, X4h=19200bps
POWER	1Eh=Power off (Standby mode), 1Fh=Power on
MIRROR	00h=Normal, 01h=H:Invert, 02h=V:Invert, 03h=H&V:Invert
INPUT	11h=VIDEO1, 12h=VIDEO2, 21h=RGB1, 22h=RGB2
VIDEO * SYSTEM	00h 00h=Auto, 00h 01h=NTSC, 00h 04h=NTSC4.43 00h 02h=PAL, 00h 03h=SECAM, 00h 05h=M-PAL
VOLUME	00h (min) ~ 24h (max)
MUTE	00h=Mute off, 01h=Mute on
BRIGHT	00h 00h 00h (dark) ~ 00h 00h 24h (brite)
CONTRAST	00h 00h 00h (lower) ~ 00h 00h 24h (higher)
COLOR	00h 00h 00h (less) ~ 00h 00h 24h (more)
TINT	00h 00h 00h (red) ~ 00h 00h 24h (green)
SHARPNESS	00h 00h 00h (soft) ~ 00h 00h 24h (sharp)
H. PHASE	00h 00h 00h ~ 00h 00h 1Fh
H. POSIT	00h 00h 00h 00h (left) ~ 00h 00h 37h 04h (right)
H. SIZE	00h 00h 78h 05h (narrow) ~ 00h 00h 30h 0Eh (wide)
V. POSIT	00h 00h 01h 00h (down) ~ 00h 00h 58h 04h (up)
BLANK	0Xh=Blank off 1Xh=Blank on bit0 0=Blue off, 1=Blue on, bit1 0=Green off, 1=Green on bit2 0=Red off, 1=Red on, bit3 0=Not change, 1=change
REVEAL	X1h=Reveal down, X4h=Reveal right, X=0 (slow) ~ 7 (fast)

*Only for projectors with Video Option

Caution

If computer sends the undefined command code or data code, Projector can not guarantee operation.

Each command consists of 2 command bytes and following data bytes.

1-st byte indicates the kind of command and the length of command.

- | | |
|-----------------------------|------------------------------|
| '0xH' : Error-reply | Projector sends to computer. |
| '1xH' : Command reply | Projector sends to computer. |
| '2xH' : Ask command | Computer sends to Projector. |
| '3xH' : Set command | Computer sends to Projector. |
| '4xH' : Default set command | Computer sends to Projector |
| '5xH' - 'FxH' : Reserved | |

'x' indicates the length of data bytes.

2-nd byte indicates the command code 'yy' as command table.

Data table shows the data byte.

Connection to the control signal terminal (continued)

The procedure of getting the Projector status

- (1) Computer sends the command '20H'+ 'yyH' to Projector.
- (2) Projector sends the reply command '1xH'+ 'yyH'+ data bytes.

The procedure of setting the Projector status

- (1) Computer sends the command '3xH'+ 'yyH'+ data bytes.
- (2) Projector changes its status.
- (3) Projector sends the reply command '1xH'+ 'yyH'+ data bytes which indicate status.

Caution

- (3) data bytes is not always same as (1) data bytes. If projector cannot realize the status of (1) data bytes, projector sets the proper status and replies this new setting data bytes or projector replies the error reply '0xH'+ 'yyH'+ data bytes same as (1).
- When only power control (POWER COMMAND) is performed, it takes about 2~80 seconds between sending set code and receiving answering code.

The procedure of default setting the Projector status

- (1) Computer sends the command '40H'+ 'yyH'
- (2) Projector changes it's status to default setting.
- (3) Projector sends the reply command '1xH'+ 'yyH'+ data bytes which indicate default.

Caution

If projector replies '4Dh', (before command code, etc.) computer ignores '4Dh'

The example of command error

When the projector cannot accept command from PC, error code '00H'+ 'yyH' is sent back.
(in a case when command code '2xH', '3xH' or '4xH'+ 'yyH'+ data is sent from PC to projector)

The example of data error

When the projector cannot accept command from PC, error code with data '00H'+ 'yyH'+ data is sent back as it is. (in a case when command code '2xH', '3xH' or '4xH'+ 'yyH'+ data is sent from PC to projector)

When data is longer than required data code length, projector ignores excess data code.

When data is shorter than required data code length, projector sends back error code shown above.

The example of framing error

After setting to 1200bps 7N1, projector sends error code '70H'+ '70H' up to 10 times at intervals of 1 second until any answer is received. When projector receives framing error code ('70H'+ '70H'), '12H'+ '03H'+ '03H'+ '10H' is sent with 1200 bps 7N1.

The interval of command bytes and data bytes

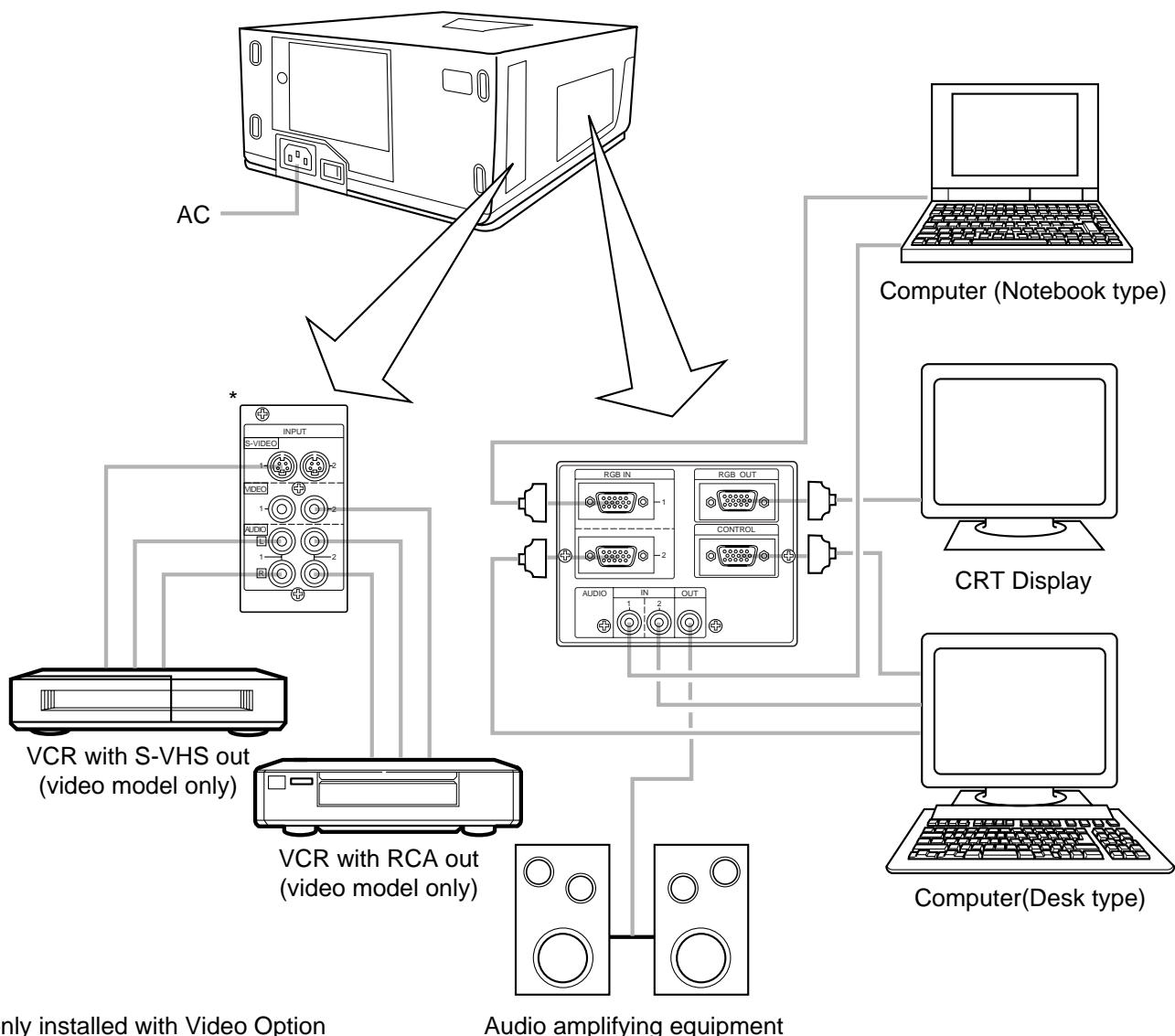
After command code '2xH', '3xH' or '4xH' is sent from PC, if command or data is not sent within 500ms, projector sends back error command '70H'+ '70H'. If no answer is sent within 1 second from that time, framing error is assumed.

Caution

- The interval of command bytes and data bytes must be over 1mS and under 500mS. If it is under 1mS, it may be treated as a framing error.
- After projector has sent back answer code, when next command is to be sent from PC, allow for an interval of 40ms or more between answer code and other code.

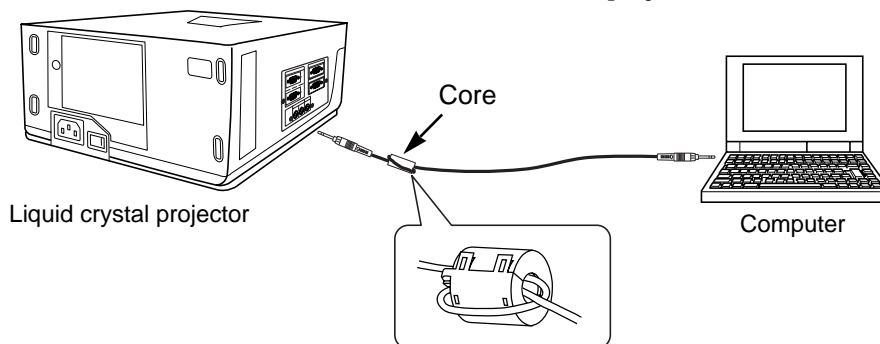
Example of system setup

Connecting various equipment.



Caution

- To protect from radio interference, ferrite core is attached to each provided or optional cable. Do not use cables other than provided cables and optional cables. Since both ends of the audio cable are the same shape, either end can be connected to any side. However, use the cable with the core set to the projector side.



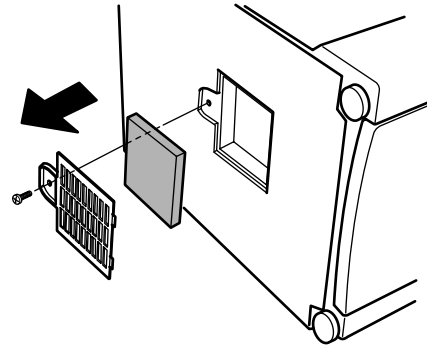
- Turn power off to all devices before connecting.
- Refer to the instruction manual of each device before connecting.

Cleaning the air filter

Clean the air filter about every 100 hours or when "CHECK THE AIR FLOW" is displayed.

1 Turn the main power switch off and disconnect the power plug from the power outlet.

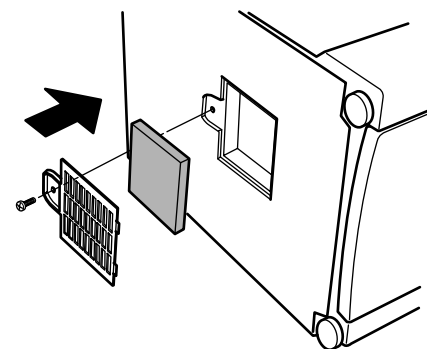
2 Remove the air filter from the bottom.



3 Clean the air filter using a vacuum cleaner.

- When the air filter is very dirty, wash it using neutral detergent diluted with water, and dry well.

4 Install the air filter.



Caution

- If the air filter is clogged with dust, etc., the protection circuit will turn the power off.
- "CHECK THE AIR FLOW" is displayed when you block the ventilation holes.

Lamp

The picture will become dark or color will be poor when the lamp is used for a long time. If usage of lamp is continued in such cases, it could cause a malfunction. Replace lamp with new one. As reference for replacement time, indicator will light or message will be displayed when the power is turned on, as shown on pages 29~30. In these cases the lamp should be replaced. Consult your dealer.

Caution LAMP indicator will light when the lamp becomes too hot. Turn off the power and let the projector cool for 60 minutes. Turn on. If LAMP indicator still lights up red, contact your dealer.

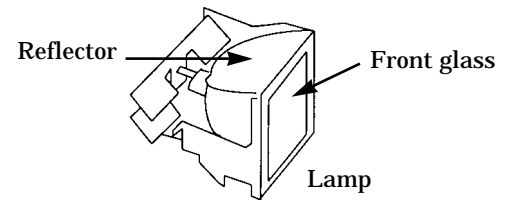
1. How to replace lamp



**HIGH VOLTAGE
HIGH TEMPERATURE
HIGH PRESSURE**

When replacing lamp, turn off and remove AC cord, wait 60 minutes to let lamp cool. High-pressure lamp may explode if improperly handled when hot.

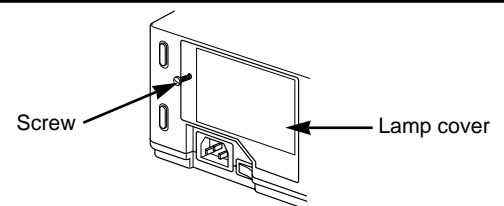
- Caution**
- For disposal of used lamp, treat according to the instruction of community authorities.
 - Since the lamp is made of glass, do not apply shock to it and do not scratch it.
 - Do not use old lamp. This could also cause explosion of the lamp.
 - If it is probable that the lamp has exploded (explosive sound is heard), disconnect the power plug from the power outlet and ask your dealer to replace lamp. The lamp is covered by a front glass and is in an air-tight structure, but, in rare cases, the reflector and the inside of the projector may be damaged by scattered broken pieces of glass, and broken pieces could cause injury when being handled.



1 Turn the main power switch off and disconnect the power plug from the power outlet.

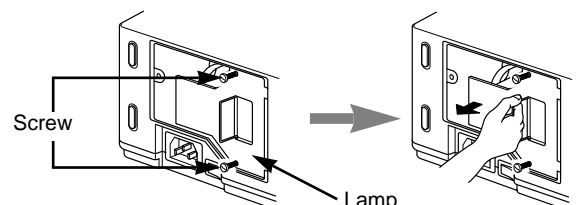
2 Remove the lamp cover.

- If lamp is hot at this time, this could cause a burn. Wait for about 60 minutes until lamp is cooled down.
- Loosen the screw and remove the cover.

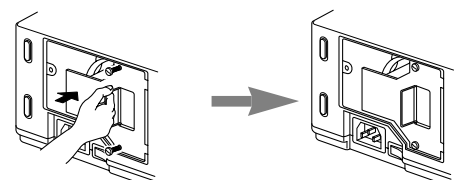


3 Loosen two screws and pull the handle to remove the lamp.

- The screws must be loosened completely in order to remove the lamp.
- Do not insert your hand into the box after the lamp is removed. (There are optical parts inside. If touched by hand, it may result in color unevenness, etc.)



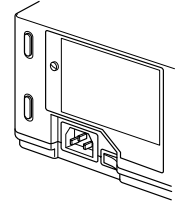
4 Replace the lamp with a new one and secure it using the same two screws.



Lamp (continued)

5 Install the lamp cover and secure it using screws.

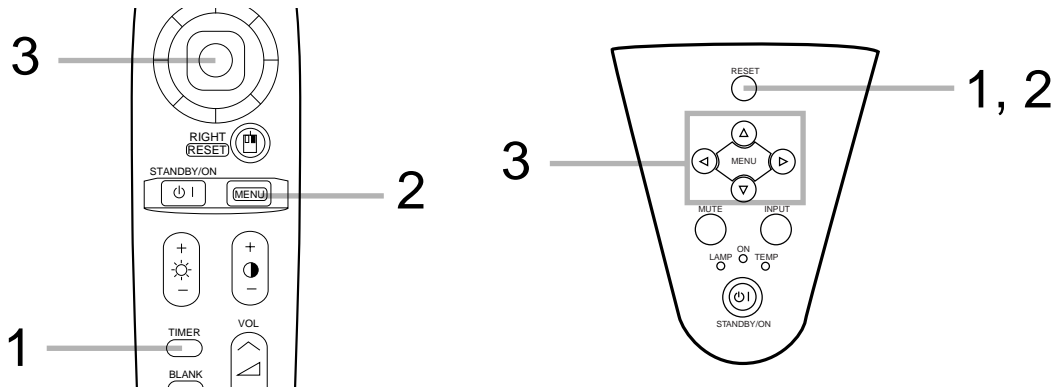
- To prevent a burn, install the lamp cover and secure it using screws.
- When the lamp cover is out of place, the power does not turn on. Before you turn on the power, make sure to attach the lamp cover and fix it with the screws.



Whenever the lamp is replaced, reset the total operation time of the lamp. Do not reset if the lamp has not been replaced.

2. Reset the lamp time

Please carry out the following operation within 10 minutes from power on, if you replaced the lamp after 2,000 hours.



- 1) Press the RESET button on projector for 3 seconds or remote control TIMER button for 3 seconds and display the total lamp hours used.
 - When accumulated operation time of the lamp reaches 1700 hours, the following display will appear at the bottom of the screen.
- 2) Press the RESET button on projector or remote control MENU ON button while displaying the lamp hours used.
- 3) Select the "0" on the screen using the MENU (◀) button or MENU STICK SWITCH.

LAMP 1700 h

LAMP 1700 □ → 0 ■ CANCEL

Message table

On-screen display

The following messages are displayed on the screen.

MESSAGE	Action
CHANGE THE LAMP "AFTER REPLACING LAMP, RESET THE LAMP TIMER."	Accumulated operation of lamp has exceeded 1,700 hours. It is recommended to replace lamp. Replace with new lamp. If accumulated operation reaches 2,000 hours, lamp will automatically turn off. *1
CHANGE THE LAMP "AFTER REPLACING LAMP, RESET THE LAMP TIMER." THE POWER WILL TURN OFF AFTER 20 Hr.	Lamp has 1,979 hours on it. Call a maintenance person. *1 Time is 20 ~ 0. (count down.)
Blinking of "CHANGE THE LAMP"	When the lamp has 2,000 hours or more on it, the message will blink, and the power will turns off after 10 minutes.
NO INPUT IS DETECTED	Signal is not input. (See pages 18, 19)
SYNC IS OUT OF RANGE	The horizontal frequency of the input signal exceeds the range of the projector. It cannot be displayed. (See pages 19, 20)
CHECK THE AIR FLOW	Clean the air filter of check the ventilation holes. (See page 27)

*1 This message is not displayed after 3 minutes.
But this message are displayed when you turn on the power again.

Message table (continued)

Indicator display

The ON indicator, LAMP indicator and TEMP indicator will light or blink in the following cases.

ON indicator	LAMP indicator	TEMP indicator	Meaning	Remedy
Lights orange	Goes off	Goes off	Standby mode	—————
Blinks green	Goes off	Goes off	During warming up	—————
Lights green	Goes off	Goes off	During operation *1	—————
Blinks orange	Goes off	Goes off	During cooling down	—————
Lights red	Lights red	Goes off	Lamp cannot light *2	Cool projector by powering off for 60 minutes. If the indicator is still it, lamp may be defective. Replace.
Lights red	Blinks red	Goes off	Lamp is not inserted or the lamp door open	Securely insert the lamp or close the lamp door.
Lights red	Goes off	Lights red	Temperature inside too high	Correctly reinstall so as not to block ventilation holes.
Lights red	Goes off	Blinks red	Cooling fan malfunction	Call a maintenance person.
Blinks red	Blinks red	Goes off	Accumulated lamp operation time has exceeded 2,000 hours	Replace lamp and reset the accumulated lamp operation time. (See page 28, 29)

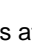
When the LAMP indicator lights, turn the power off. If the problem cannot be resolved, contact your dealer.

*1 Even when the indicator lights green, if the power supply section becomes too hot, the lamp may be automatically turned off to cool it down (indicator continues to light green). In this case, turn off the power switch and allow the unit to cool down before turning the power switch on again. The lamp will light. If the lamp does not light because it is still automatically turned off, contact your dealer.

*2 When inside temperature becomes high because ventilation holes are blocked, normally, TEMP indicator will light red. However, to protect the projector, the lamp may be turned off and at this time LAMP indicator may light red.

Troubleshooting

Check the following before asking for service. If the problem cannot be resolved, consult your dealer.

Phenomena	Cause	Check point	Page
Power cannot be turned on.	<ul style="list-style-type: none"> The Main power is not turned on. The power cord is disconnected. 60 seconds have not elapsed since the power was turned off. 	<ul style="list-style-type: none"> Turn the MAIN POWER switch on. Insert the power cord into an AC socket. When the power is turned off turn the power switch on after waiting at least 60 seconds. 	P.12 P.8 P.12
No picture and sound	<ul style="list-style-type: none"> The setting of the input source is not correct. Wiring to the projector is not correct. 	<ul style="list-style-type: none"> Set the correct input using the input select button of the projector or the remote control. Connect the cable correctly. 	P.7, 9, 12, 16 P.8, 26
Only picture is displayed with no sound	<ul style="list-style-type: none"> Wiring to the projector is not correct. The volume is set to minimum. The unit is in the mute mode. 	<ul style="list-style-type: none"> Connect the cable correctly. Press the VOL button or press the MENU button and adjust the volume. Press the MUTE button. 	P.8, 26 P.9, 15 P.7, 9
Only sound is heard without a picture	<ul style="list-style-type: none"> Wiring the projector is not correct. The brightness is set fully to the dark side. Lens cap is attached. 	<ul style="list-style-type: none"> Connect the cable correctly. Press the MENU button and select BRIGHT and press the  button. Remove the lens cap. 	P.8, 26 P.15 P.12
Color is weak and tint is incorrect	The color and tint have been adjusted incorrectly.	Adjust the color and tint correctly.	P.15
Picture is dark	<ul style="list-style-type: none"> The brightness and contrast has been adjusted incorrectly. The lamp has not been adjusted. 	<ul style="list-style-type: none"> Adjust the brightness and contrast correctly. Replace the lamp with a new one. 	P.15 P.28
Picture is not clear	Focus or H.PHASE is not matched.	Adjust the focus or H.PHASE	P.12, 15
LAMP indicator lights red.	Trouble with the lamp.	Turn off the power and leave for 60 minutes ; then turn the power on again.	P.30
TEMP indicator lights red.	Internal temperature of the projector is too hot.	<ul style="list-style-type: none"> Do not block the ventilation holes. Clean the air filter. Use the projector under 35°C temperature. 	P.5 P.27
Remote control mouse cannot be operated.	<ul style="list-style-type: none"> Cable was connected after the power was turned on. Video signal not selected. 	<ul style="list-style-type: none"> Be sure to perform procedure in the following order: (1)Connect cable. (2)Turn on projector. (3)Turn PC on. Input video signal and select and display input source. 	P.21

Specifications

• All specifications are subject to change without notice.

ENGLISH

Product name		Liquid crystal projector	
Model name		MP-83i/MP-83iE	
Display system		3 sheets of liquid crystal panels, 3 primary color lights shutter system	
Liquid crystal panel	Panel size	2.3cm (0.9 inches)	
	Drive system	TFT active matrix	
	Number of pixels	480,000 pixels (V600 X H800)	
Lens		Zoom lens F=2.0 ~ 2.3 f=38 ~ 50mm	
Lamp		UHB lamp 150W	
Speaker		1W+1W (stereo)	
Power supply		AC100 ~ 120V, 2.6A/AC220 ~ 240V, 1.3A	
Power consumption		230W	
Usable temperature range		32 ~ 95°F	Storage Temperature range -4 ~ 140°F
Dimensions (W X H X D)		9.4" X 4.8" (including foot adjuster) X 12.6" (including lens). 9.4" X 5.2" (excluding foot adjuster) X 13.2" (excluding lens).	
Weight		11.5 lbs.	
Input/Output terminal	Video signal input terminal	S VIDEO : Mini DIN4-pin terminal VIDEO : RCA Jack terminal AUDIO : RCA Jack terminal	
	RGB input/output signal terminal	RGB signal : D-sub 15pin shrink terminal (Female) AUDIO : Stereo mini jack	
	Control terminal	D-sub 15pin shrink terminal (Male)	
Accessories		Remote control 1 MAC adaptor 1 POWER code 1 Video/Audio 1* BATTERIES (AA or R6P) 2 Mouse cable 3 RGB cable 1	

*Video option only

Dimension diagram

All dimensions shown in inches.

