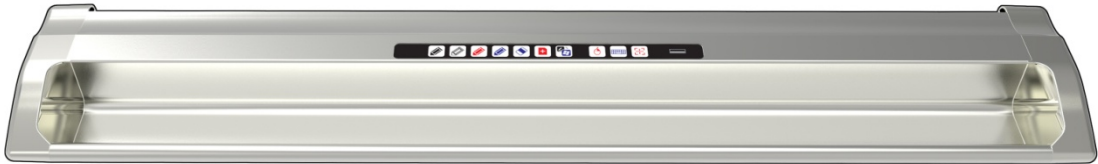




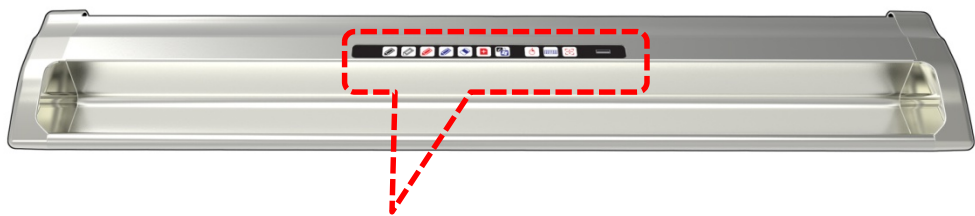
Pen-Tray Specification

Pen – Tray Specification



Operating Voltage	5V 100mA
Material	Aluminum & Plastic
Communication	USB HID
AUX USB	1 Port
Sound	Buzzer
Function Switch	10 Functions(AHA-840) , 3 Functions(AHA-800)
Key	Membrane
Dimensions (WHD)	750 X 45 X 135 mm

I. Pen-Tray Configuration and Components.

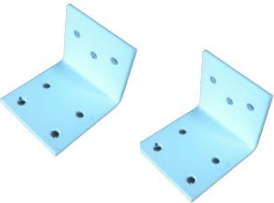


Pen-Tray

Operation Buttons



USB Cables (Mini Type) x 2



Mounting Bracket x 2



Screw M 4*12 x 14



Pen x 2

II. Edupen Pro Operation Buttons (Option)



- ① ② ③ ④ ⑤ ⑥ ⑦

- ① Edupen Pro Black Pen selection button.
- ② Edupen Pro White Pen selection button.
- ③ Edupen Pro Red Pen selection button.
- ④ Edupen Pro Blue Pen selection button.
- ⑤ Edupen Pro Eraser selection button.
- ⑥ Edupen Pro Create New Page button.
- ⑦ Pen Mode to Windows Mode selection button.

※ **To use the Operation buttons shown above, Edupen Pro must be running.**

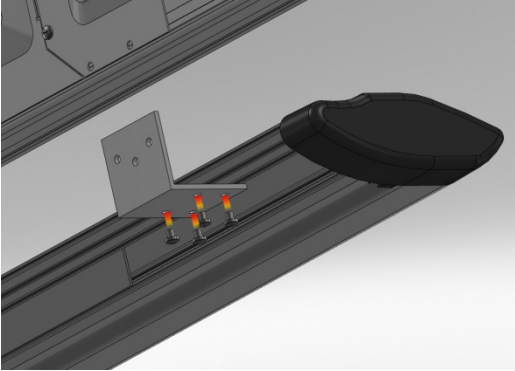
III. Keyboard , Mouse Operation Buttons



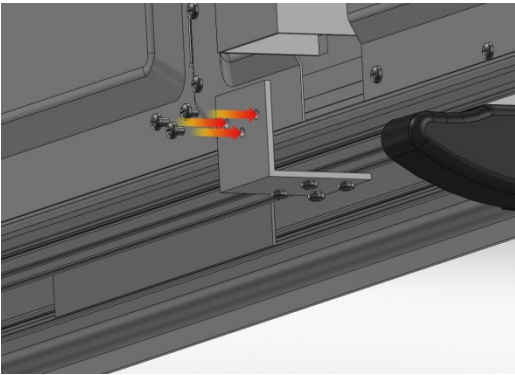
- ① ② ③ ④

- ① Mouse right click button.
 - ② On screen keyboard call-up button.
 - ③ Internet Explorer.
- ※
- ① USB port for connection of various USB devices and storage.

IV. Pen-Tray Mounting



1. Install the mounting brackets to the bottom of the pen tray using the 8 screws provided. Ensure they align with the mounting marks.



2. Align the pen tray in front of the display with the brackets over the rear mounting holes. Install the 6 rear holding screws to fasten the bracket to the display.

3. After confirming the tray is centered correctly, hand-tighten all screws.

4. Connect the pen tray's 2 USB cables to the computer used to operate the display. One cable must be connected for the pen tray hotkeys and another for the pen tray's USB data hub.

V. Connection

