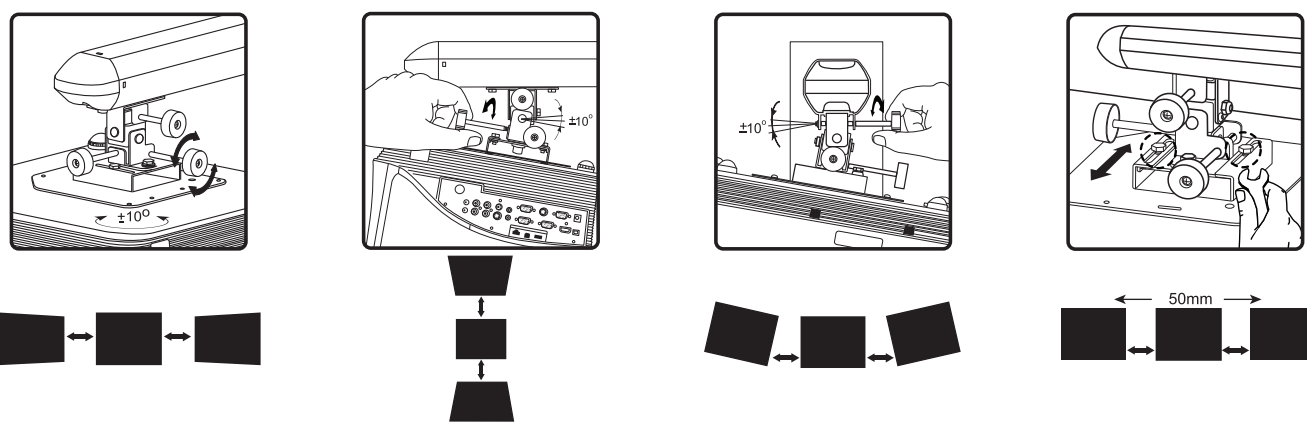
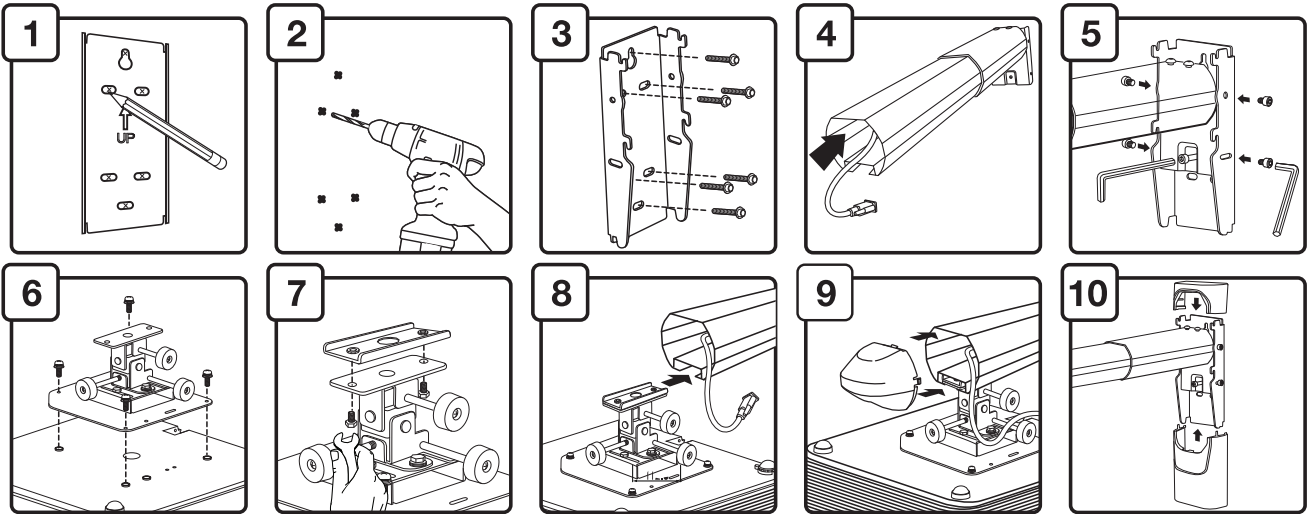
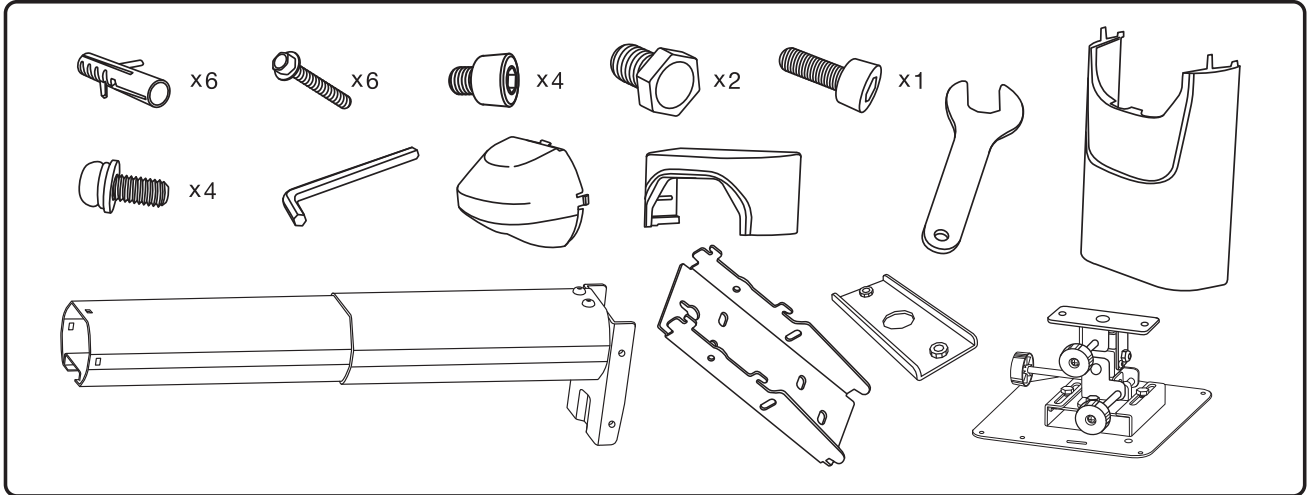


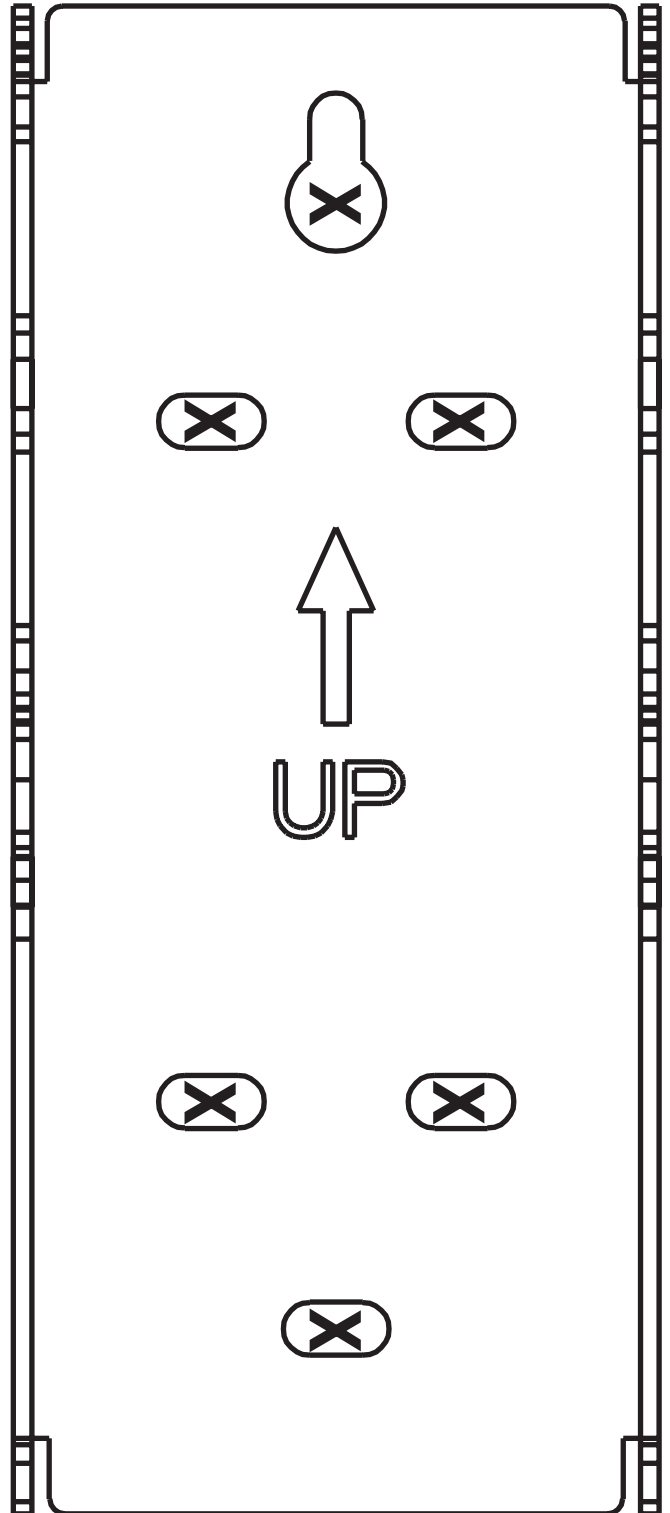
MimioProjector | Arm Mounting Guide



MimioProjector | Wall Bracket Template

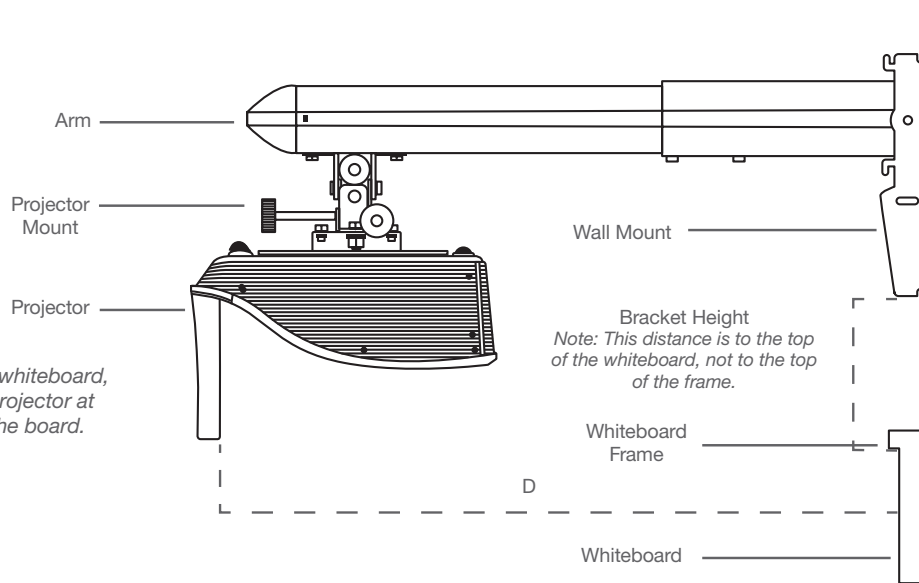
CONFIRM PRINTED PAPER SIZE

1. Template must be printed at 100%.
2. Prior to printing, ensure that Page Scaling is set to "None" on your print dialog box.
3. Measure the bar below. It must be exactly 3 inches long.



MimioProjector | Distance Calculator

When centering on your whiteboard, position the lens of the projector at the horizontal center of the board.

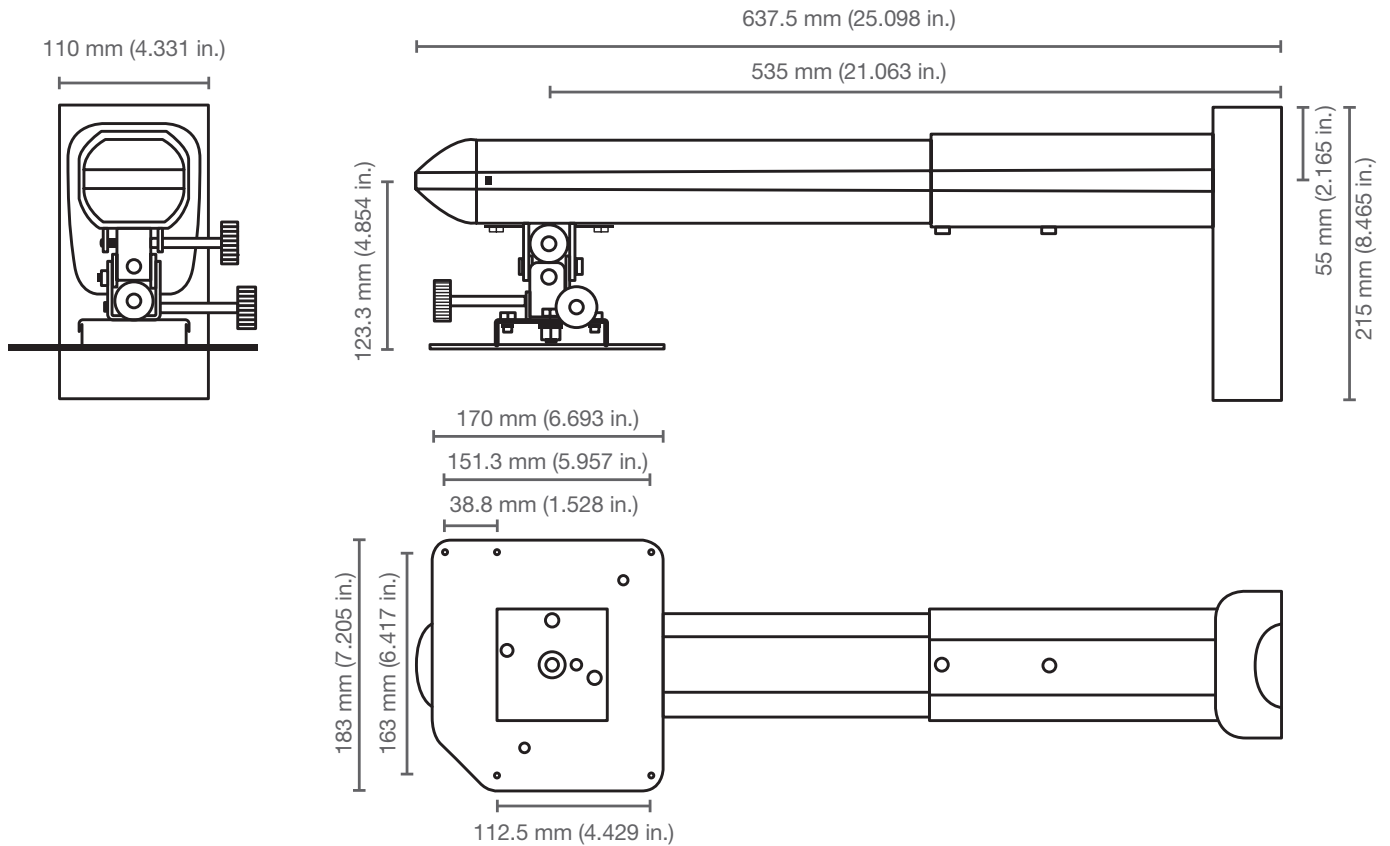


This illustration shows the projector without the wall mount cover.

MOUNTING ARM PLACEMENT FOR 16:10 ASPECT WXGA		
DIAGONAL WXGA	DISTANCE (D)	BRACKET HEIGHT
70	20.34 (516.51)	10.31 (261.94)
71	20.65 (524.43)	10.45 (265.31)
72	20.96 (532.36)	10.58 (268.68)
73	21.27 (540.3)	10.71 (272.04)
74	21.59 (548.26)	10.84 (275.41)
75	21.9 (556.23)	10.98 (278.77)
76	22.21 (564.22)	11.11 (282.14)
77	22.53 (572.23)	11.24 (285.5)
78	22.84 (580.25)	11.37 (288.87)
79	23.16 (588.28)	11.51 (292.23)
80	23.52 (597.45)	11.66 (296.1)
81	23.8 (604.4)	11.77 (298.96)
82	24.11 (612.48)	11.9 (302.33)
83	24.43 (620.57)	12.04 (305.7)
84	24.75 (628.68)	12.17 (309.06)
85	25.07 (636.81)	12.3 (312.43)
86	25.39 (644.95)	12.43 (315.79)
87	25.78 (654.83)	12.6 (319.93)
88	26.03 (661.18)	12.7 (322.52)
89	26.35 (669.26)	12.83 (325.89)
90	26.67 (677.36)	12.96 (329.25)
91	26.99 (685.47)	13.1 (332.62)
92	27.31 (693.59)	13.23 (335.99)
93	27.63 (701.73)	13.36 (339.35)
94	27.95 (709.88)	13.49 (342.72)
95	28.27 (718.04)	13.63 (346.08)
96	28.78 (731.07)	13.84 (351.47)
97	28.91 (734.41)	13.89 (352.81)
98	29.24 (742.61)	14.02 (356.18)
99	29.56 (750.82)	14.16 (359.54)
100	29.88 (759.05)	14.29 (362.91)

MOUNTING ARM PLACEMENT FOR 4:3 ASPECT XGA		
DIAGONAL XGA	DISTANCE (D)	BRACKET HEIGHT
70	24.28 (616.72)	12.85 (326.45)
71	24.66 (626.31)	13.02 (330.74)
72	25.04 (635.91)	13.19 (335.02)
73	25.41 (645.54)	13.36 (339.31)
74	25.78 (654.83)	13.52 (343.43)
75	26.17 (664.67)	13.7 (347.89)
76	26.54 (674.18)	13.87 (352.17)
77	26.92 (683.7)	14.03 (356.46)
78	27.29 (693.25)	14.2 (360.75)
79	27.67 (702.8)	14.37 (365.03)
80	28.05 (712.38)	14.54 (369.32)
81	28.42 (721.97)	14.71 (373.61)
82	28.83 (732.27)	14.88 (377.89)
83	28.99 (736.28)	15.05 (382.18)
84	29.36 (745.86)	15.22 (386.47)
85	29.74 (755.46)	15.38 (390.76)
86	30.12 (765.08)	15.55 (395.04)
87	30.5 (774.71)	15.72 (399.33)
88	30.88 (784.36)	15.89 (403.62)
89	31.26 (794.03)	16.06 (407.9)
90	31.58 (802.19)	16.23 (412.19)

MimioProjector | Mount Specifications



SPECIFICATIONS	
Material	Steel / Aluminum Alloy / Plastic
Weight	2.9 kg (6.39 lb)
Dimensions (W x H x D)	110 mm x 215 mm x 637.5 mm (4.33 in. x 8.47 in. x 25.10 in.)
Max. Distance to Wall	535 mm (21.063 in.)
Weight Capacity	15 kg (33.07 lb)
Screw Type	M4
Wall Mount Tilt	Up to +/- 5°
Projector Tilt Angle	+/- 10°
Swivel	+/- 10°
Horizontal	+/- 20 mm (.79 in.)
Horizontal Angle	+/- 10°